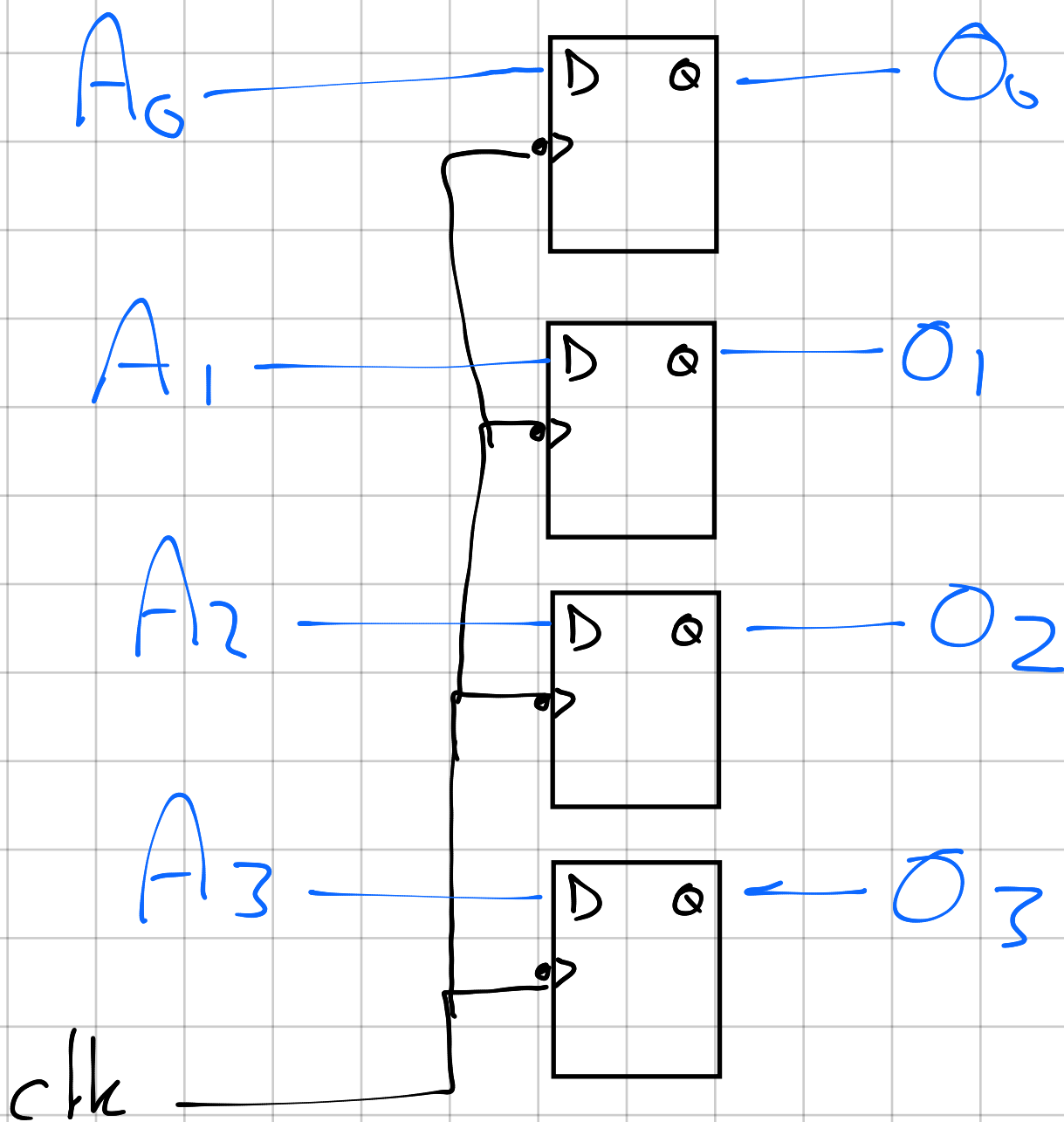
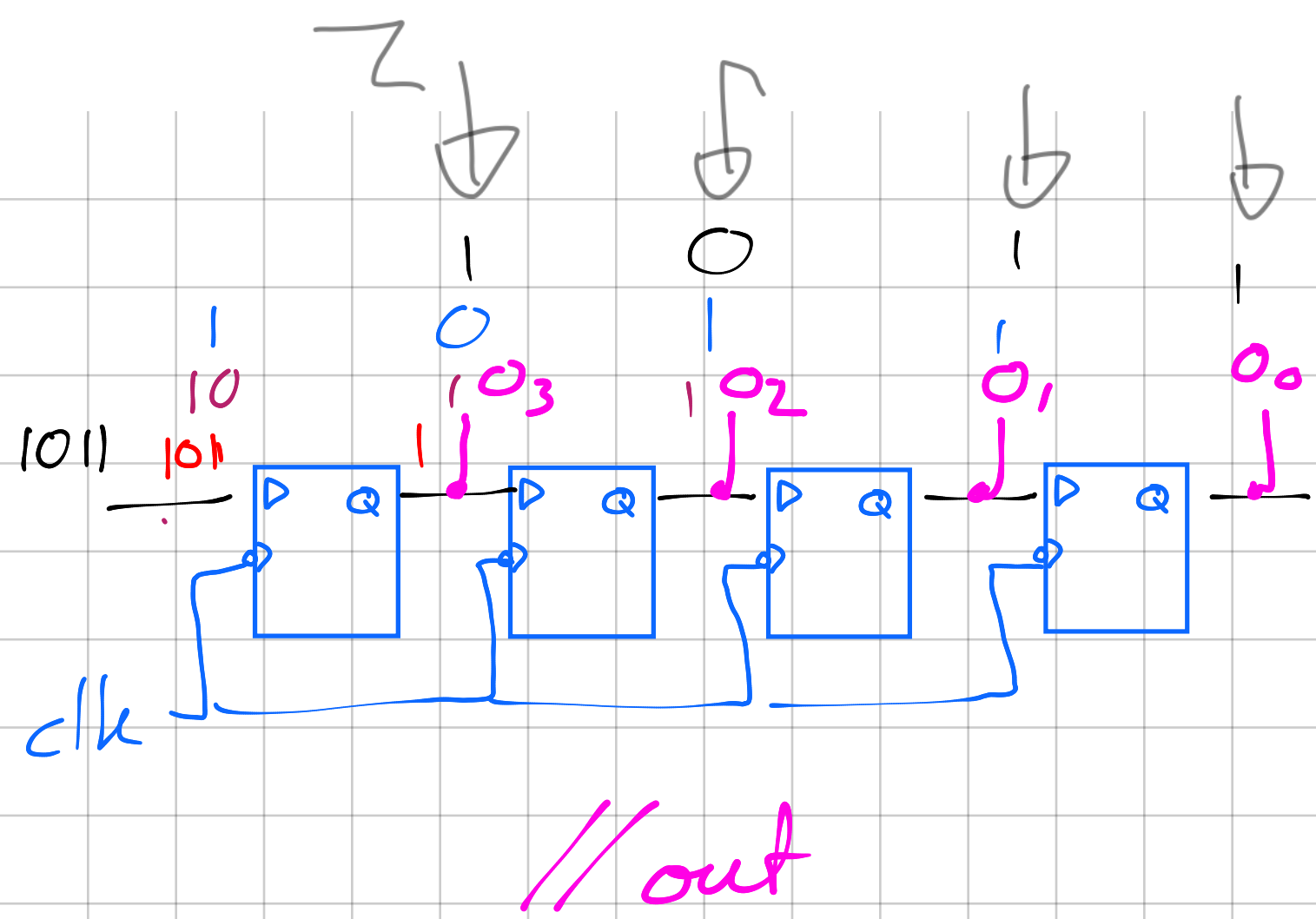
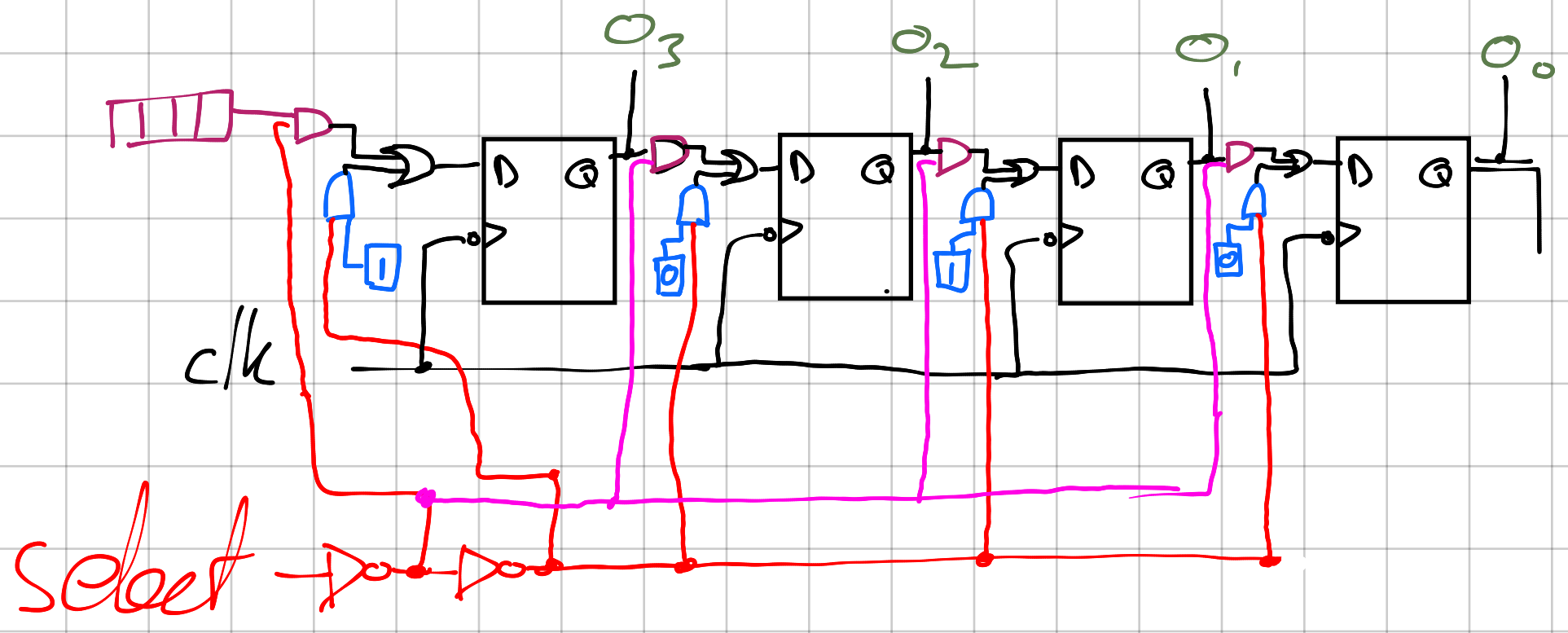


September 12,  
Registers



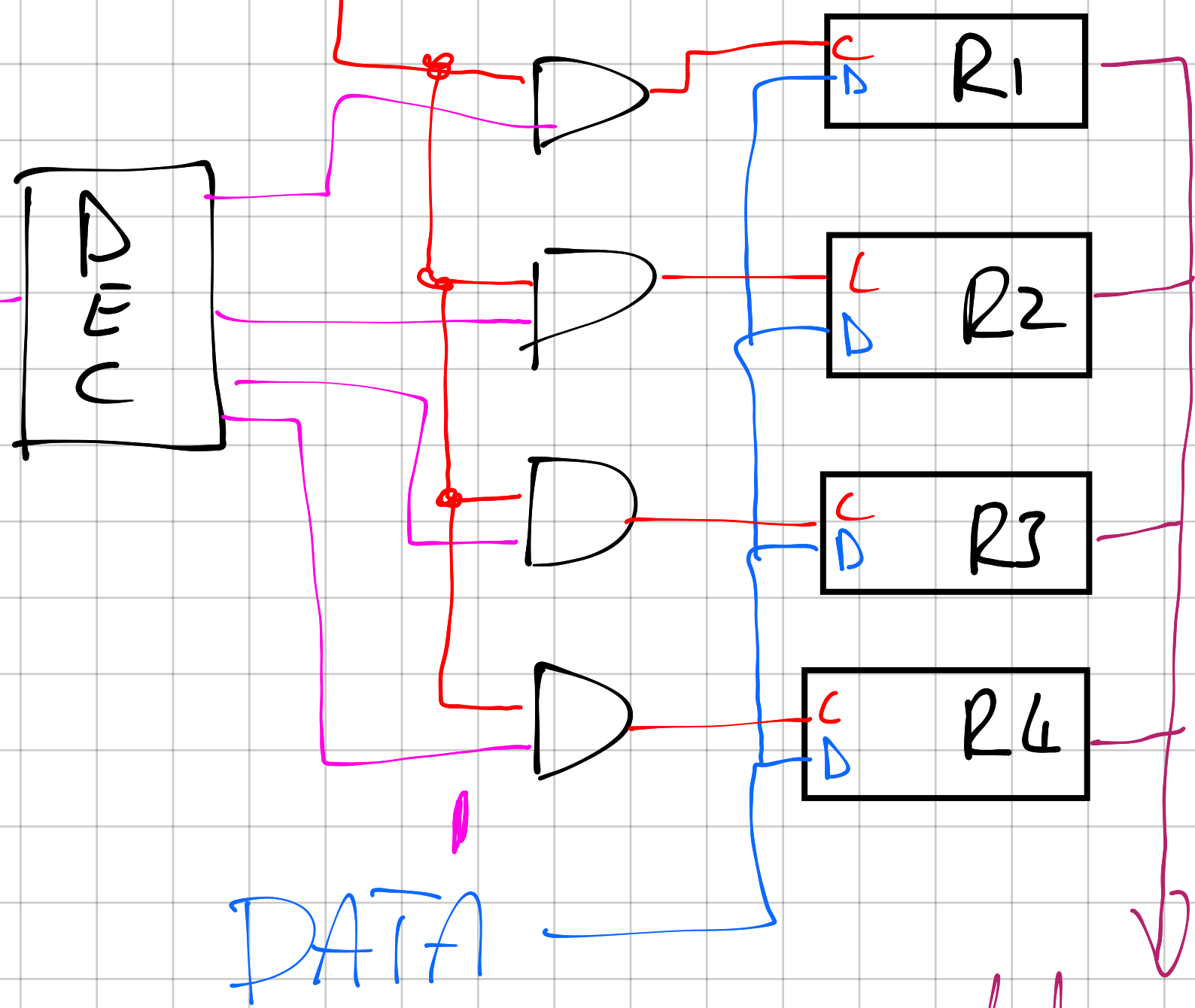


Serial 2 // in  $\rightarrow$  Serial 2 // out.



WRITE

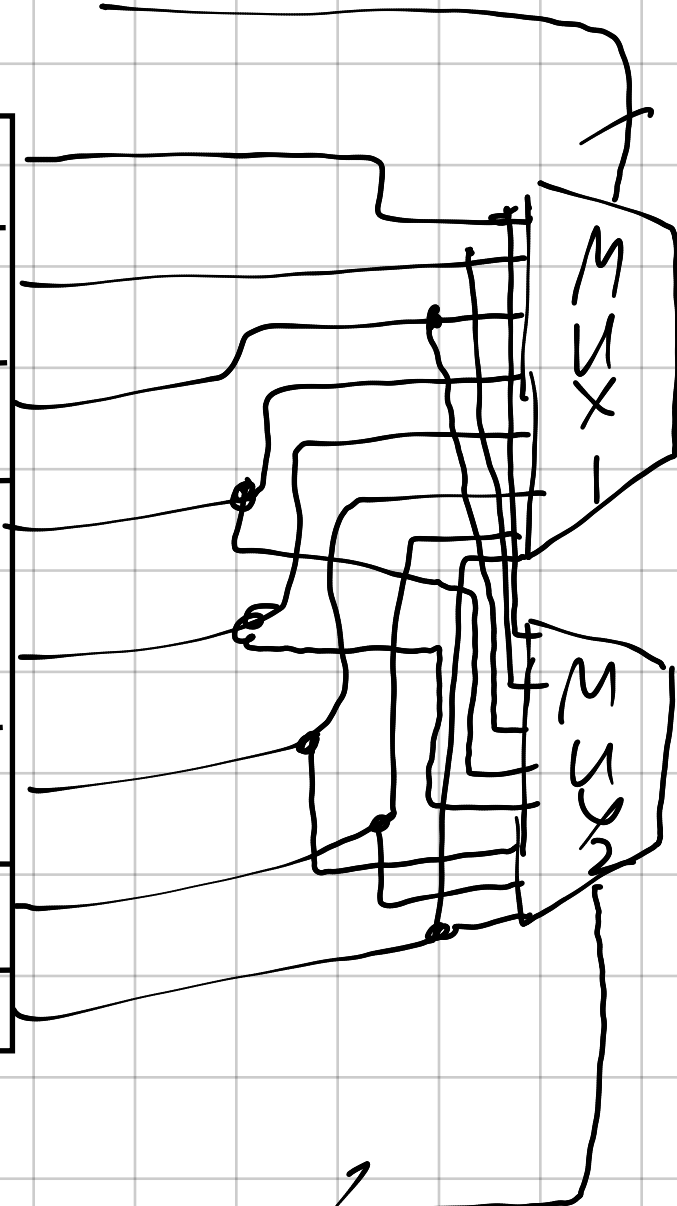
Reg#  
4



DATA

data out.

Read reg #



data 1

data 2

Read reg #

