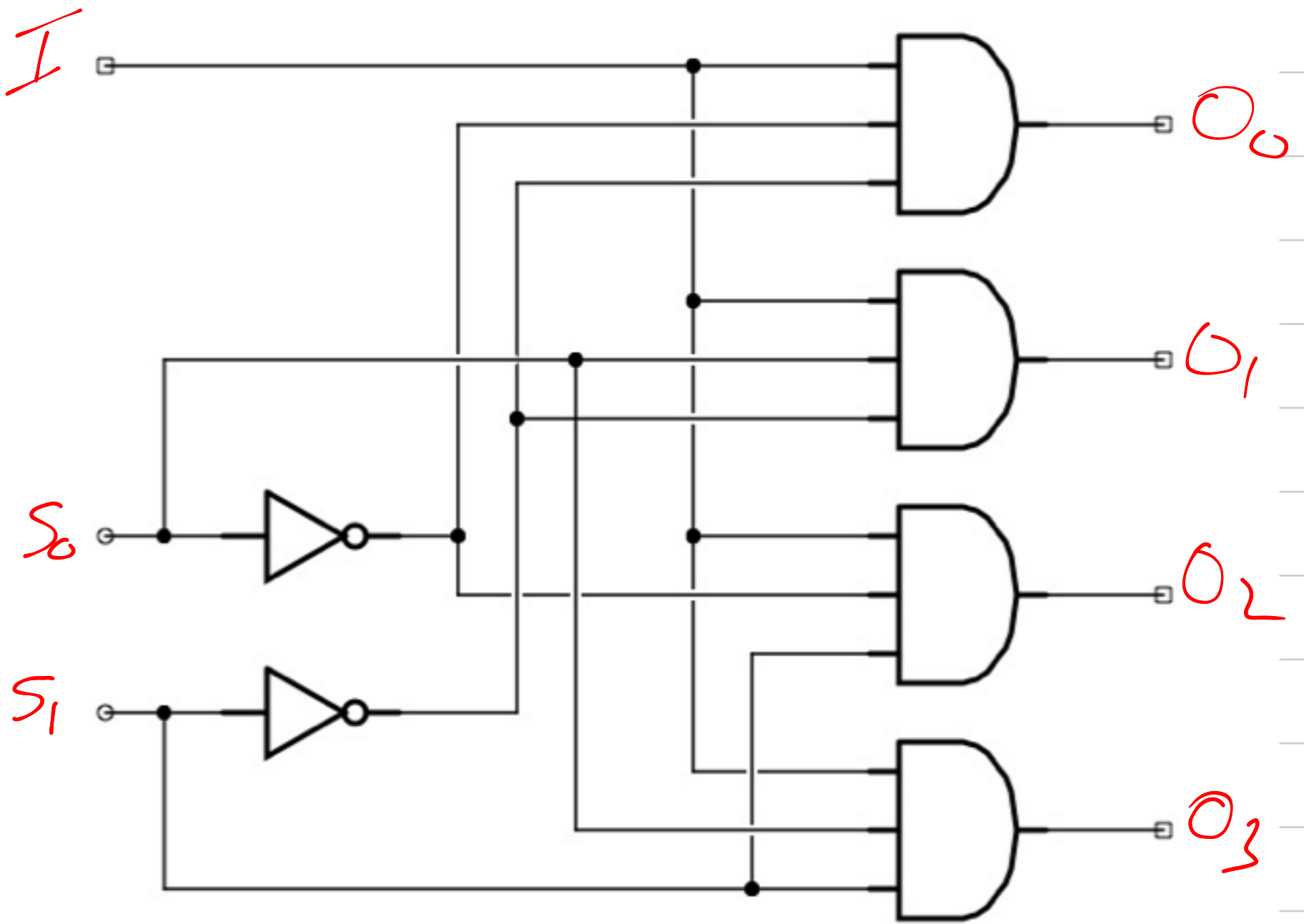


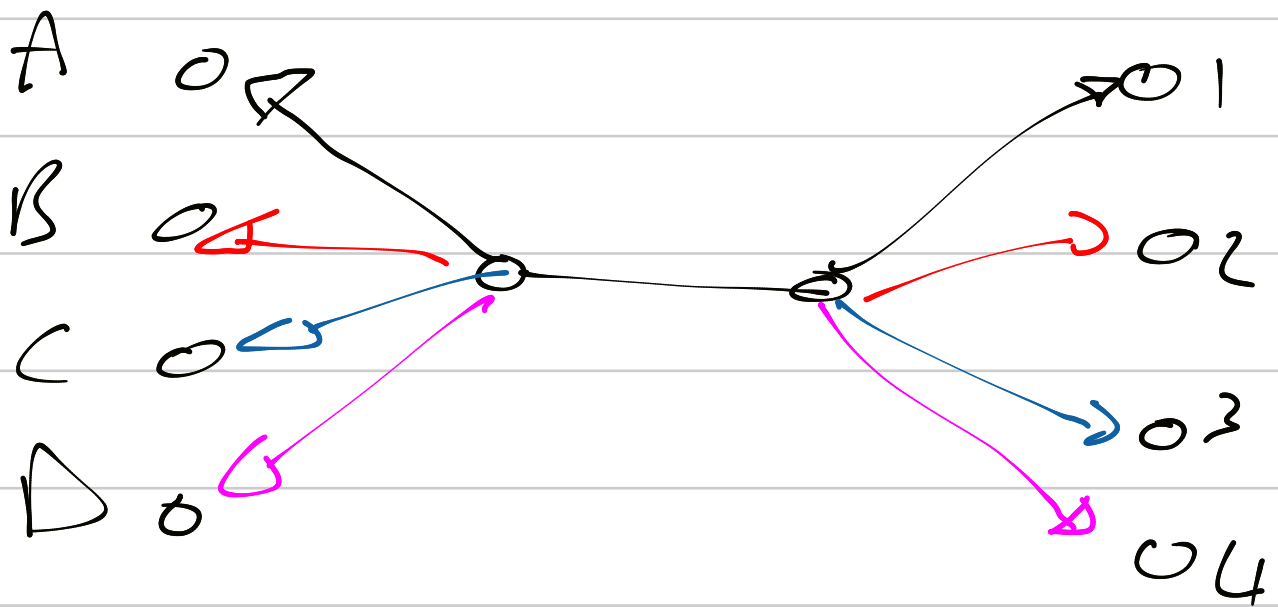
1 August 2013

Re-cap

Decoder & Encoder

Mux & DeMux



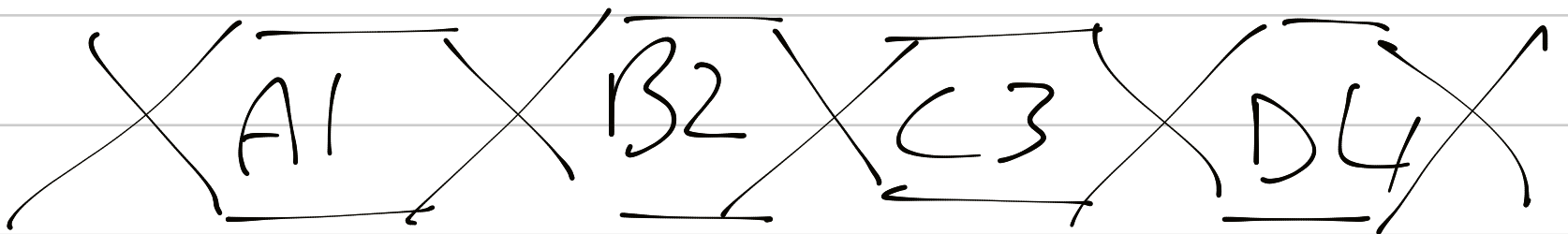


$$E_1 = A1$$

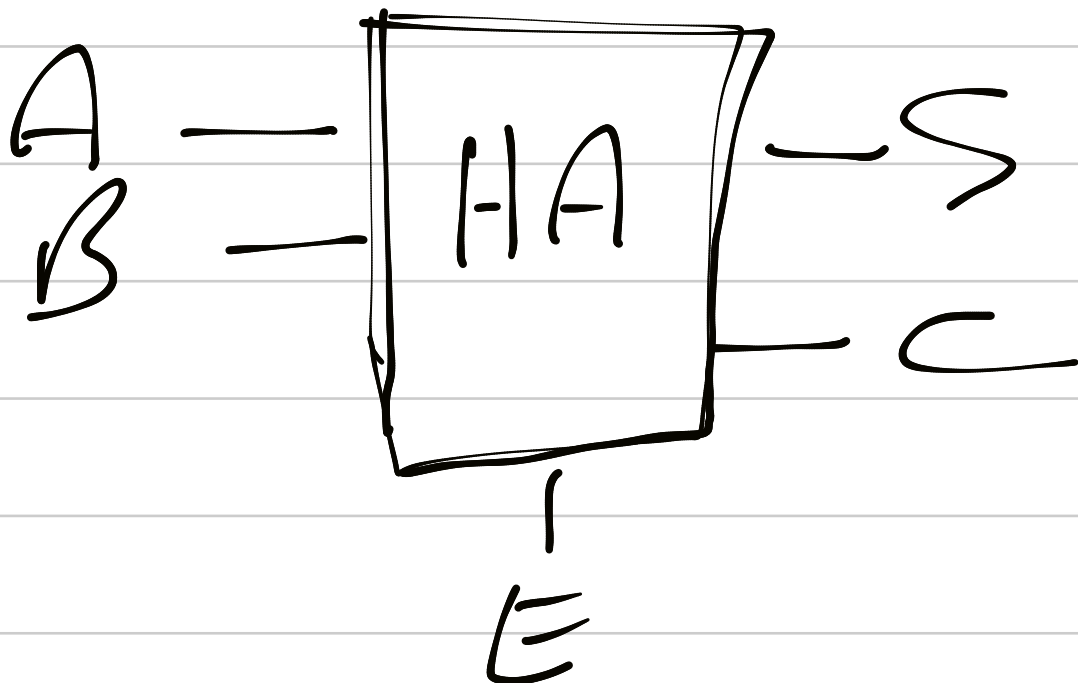
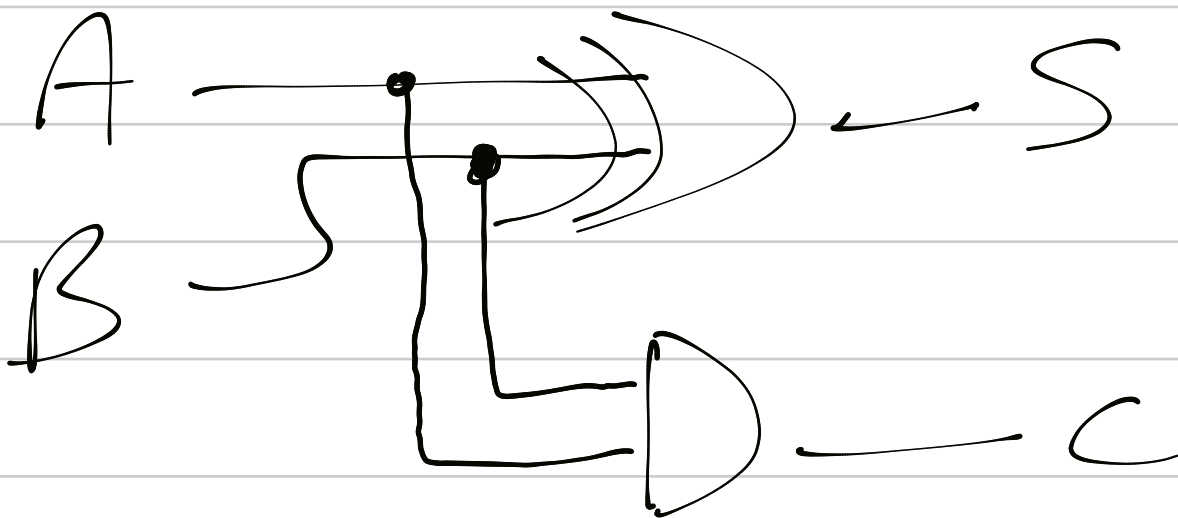
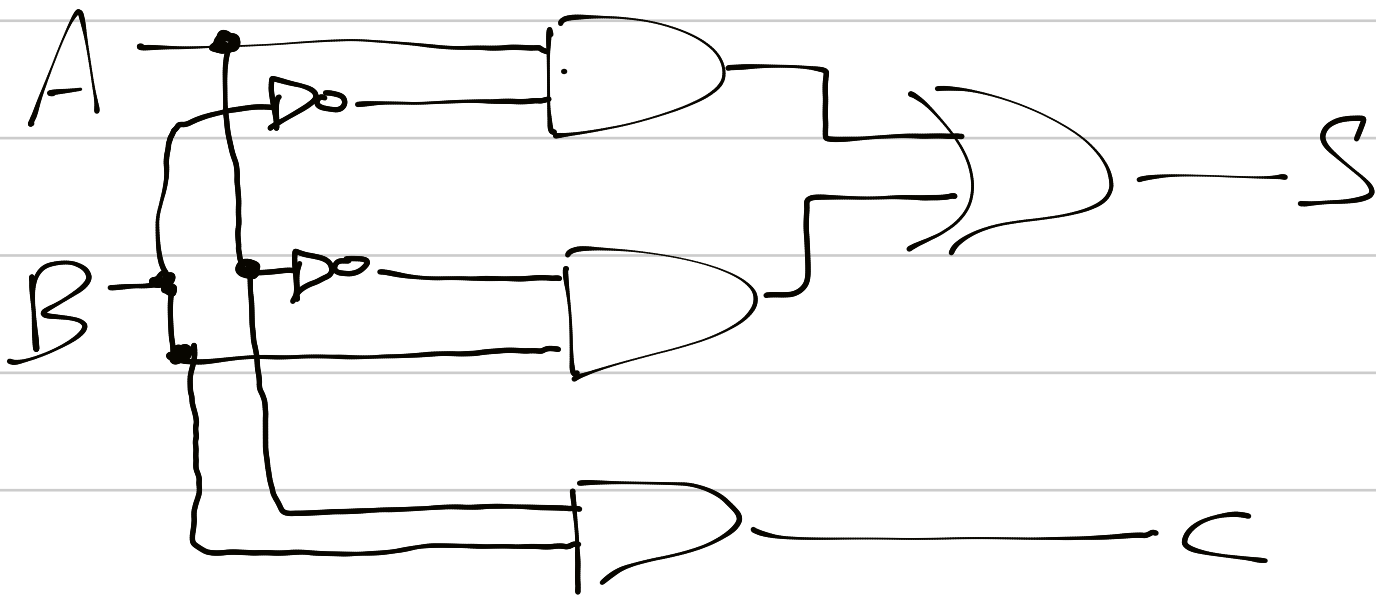
$$E_2 = B2$$

$$E_3 = C3$$

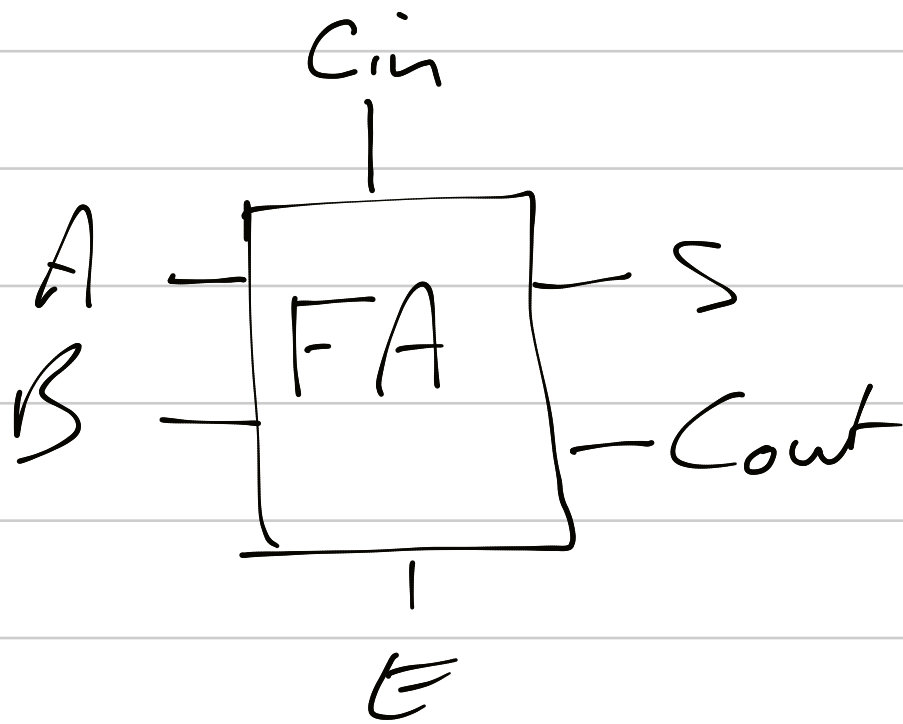
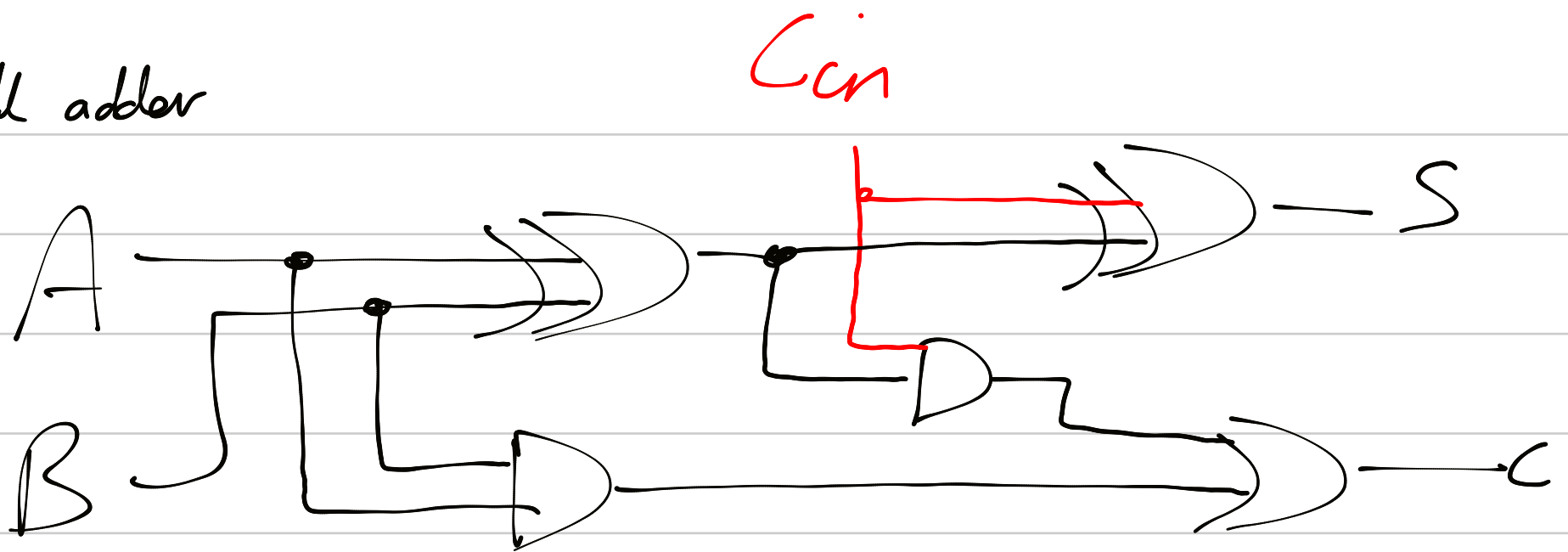
$$E_4 = D4$$



adders 1 bit A B.



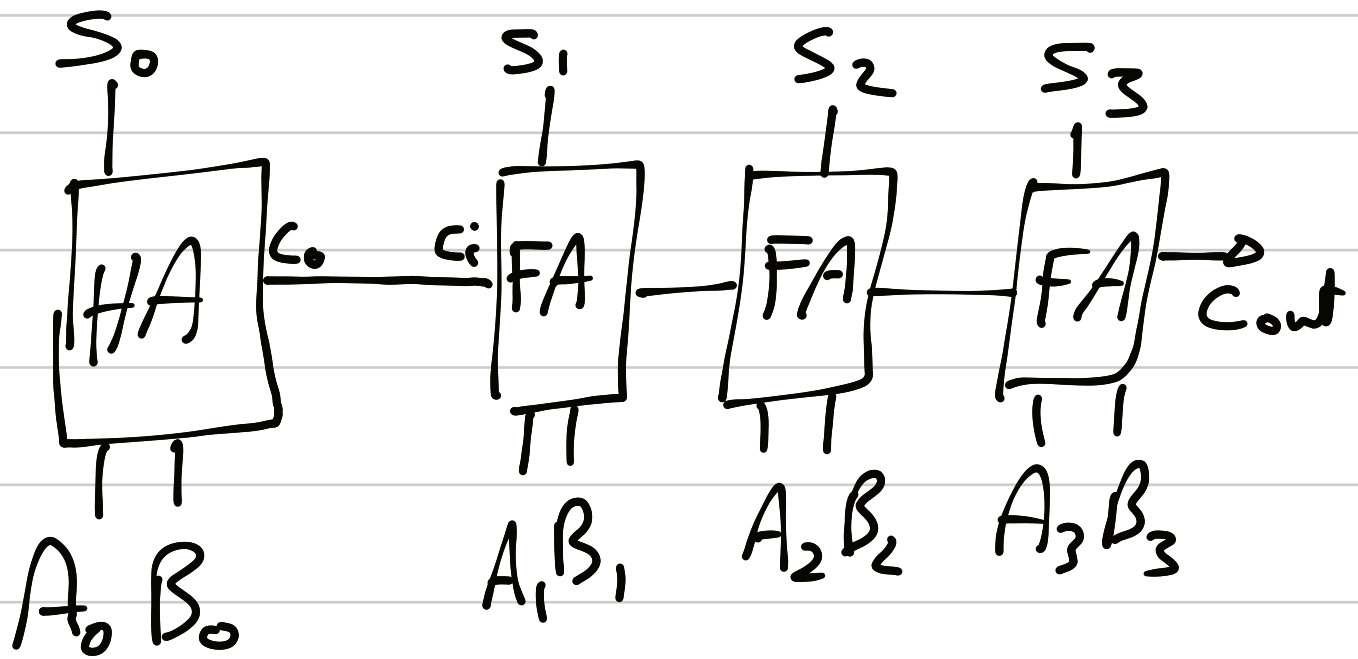
Full adder



4 Bit adder

$A = A_0 A_1 A_2 A_3$

$B = B_0 B_1 B_2 B_3$



$$10 - 6 = 4$$

$$1010 - 0110 = 0100$$

