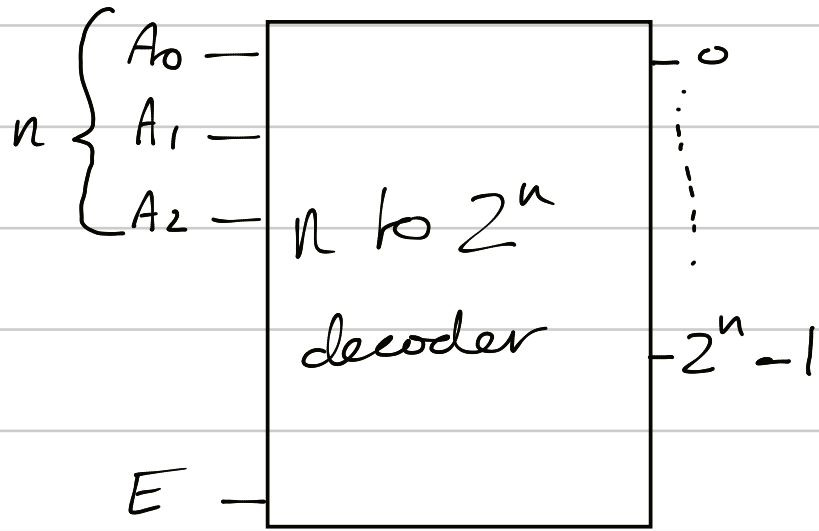


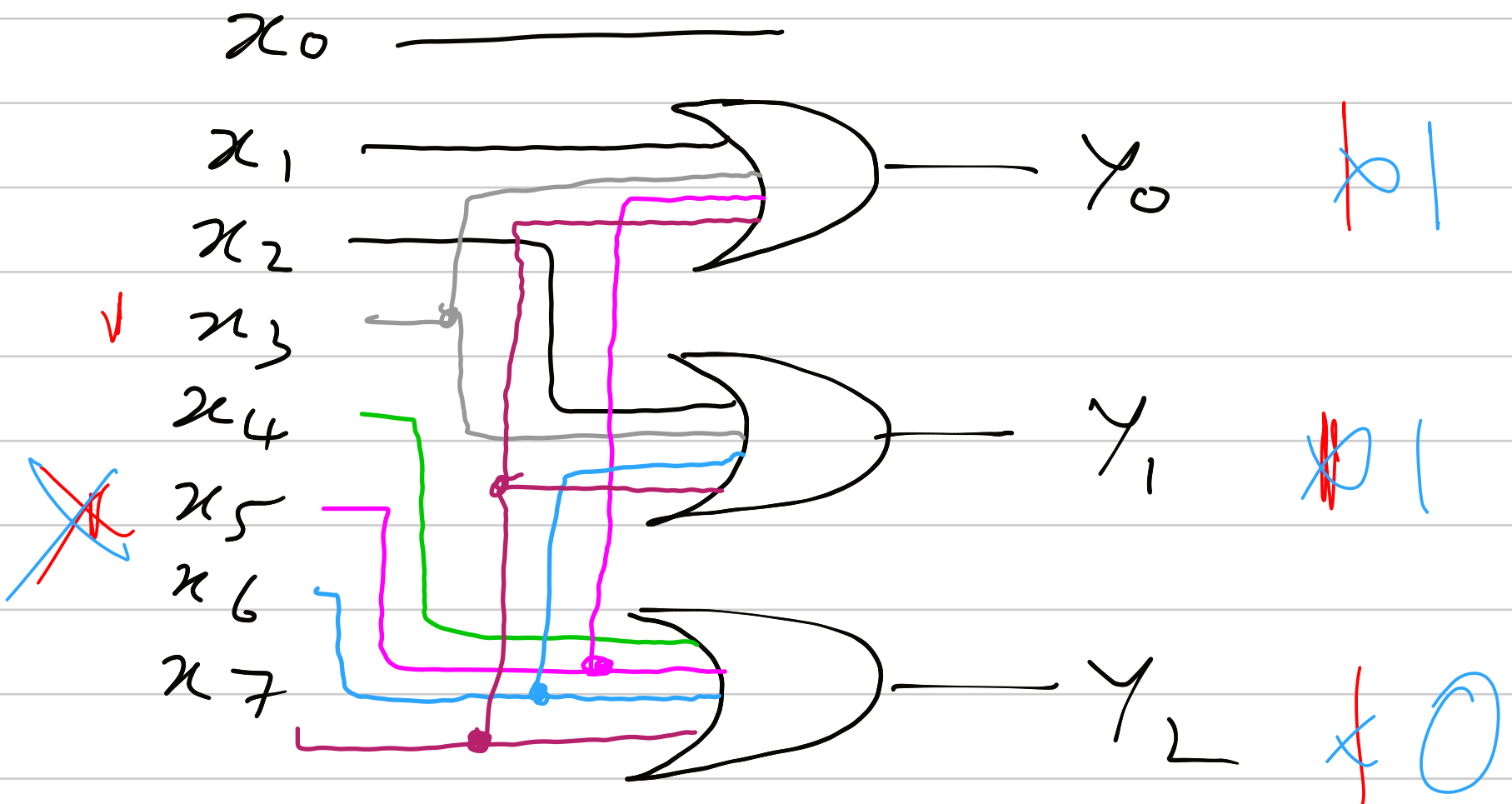
25 July 2013

→ Decoder

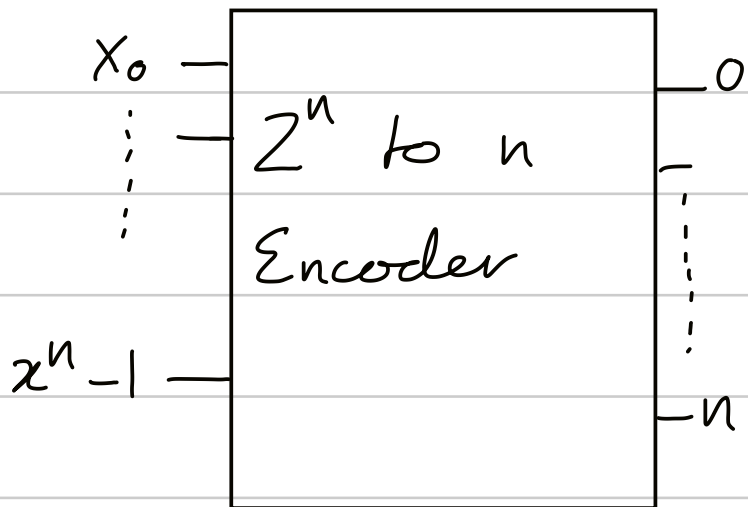


Encoder truth table

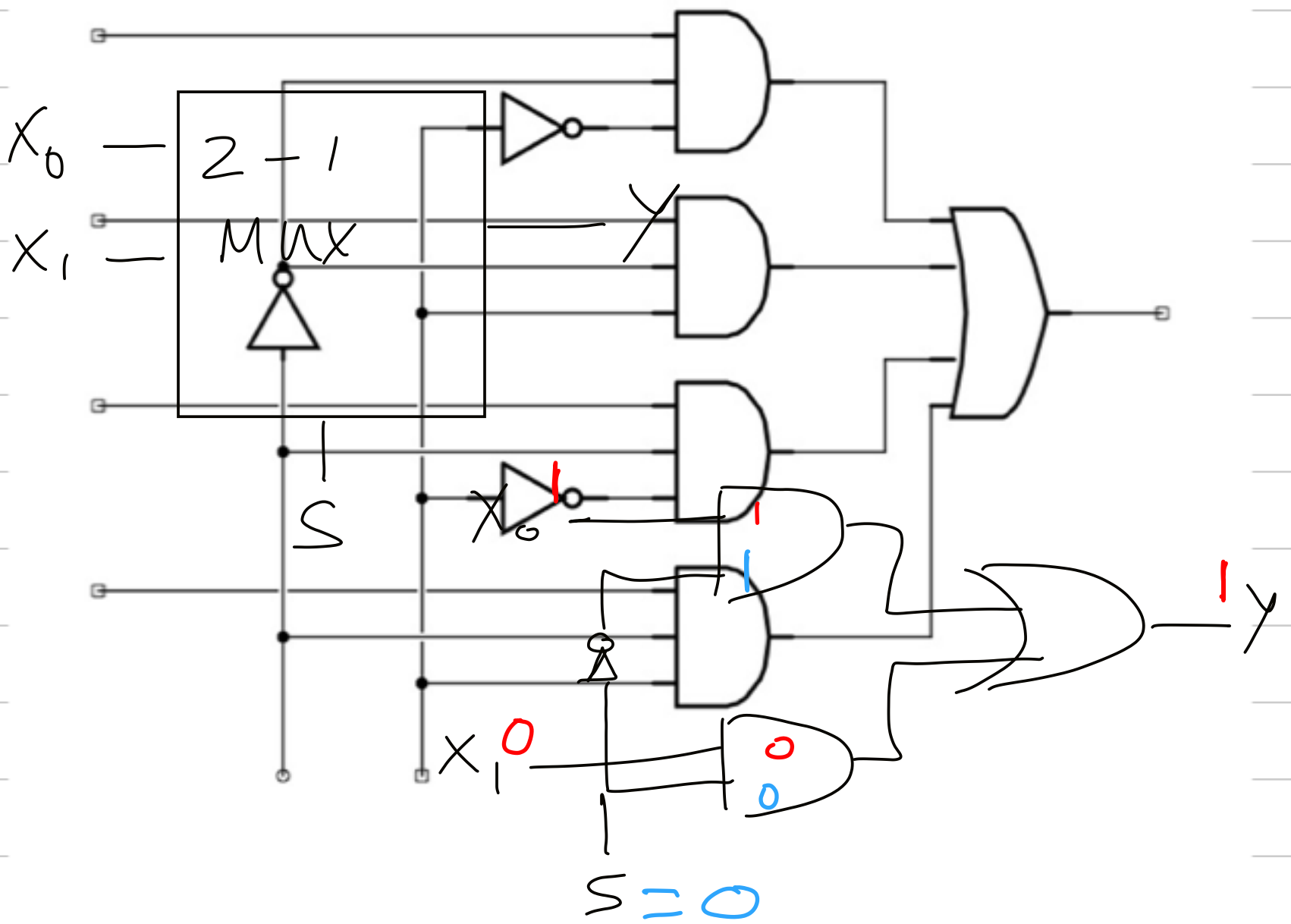
x_0	x_1	x_2	x_3	x_4	x_5	x_6	x_7	y_0	y_1	y_2
1	0	0	0	0	0	0	0	0	0	0
0	1	0	0	0	0	0	0	1	0	0
0	0	1	0	0	0	0	0	0	1	0
0	0	0	1	0	0	0	0	1	1	0
0	0	0	0	1	0	0	0	0	0	1
0	0	0	0	0	1	0	0	1	0	1
0	0	0	0	0	0	1	0	0	1	1
0	0	0	0	0	0	0	1	1	1	1

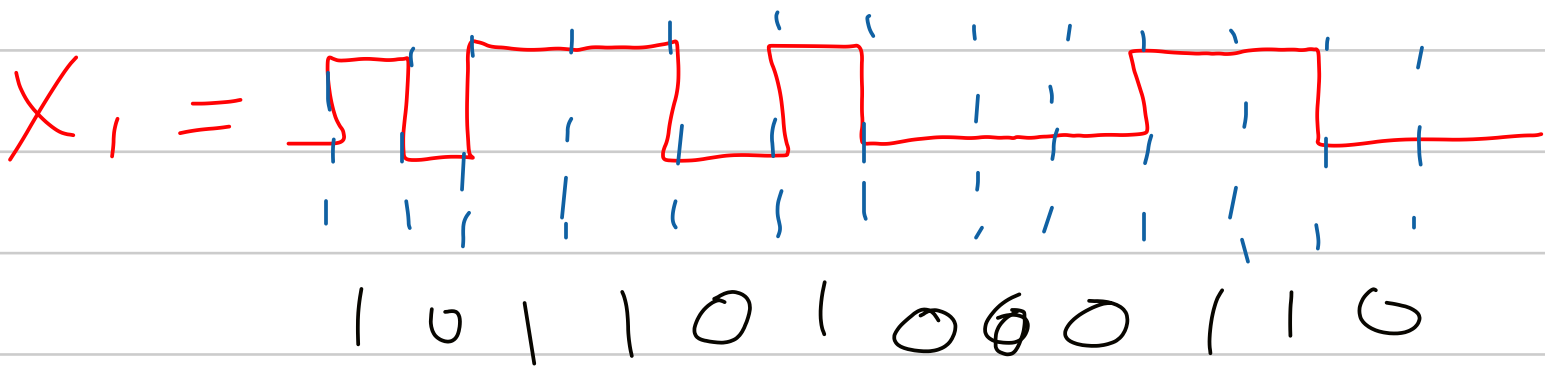
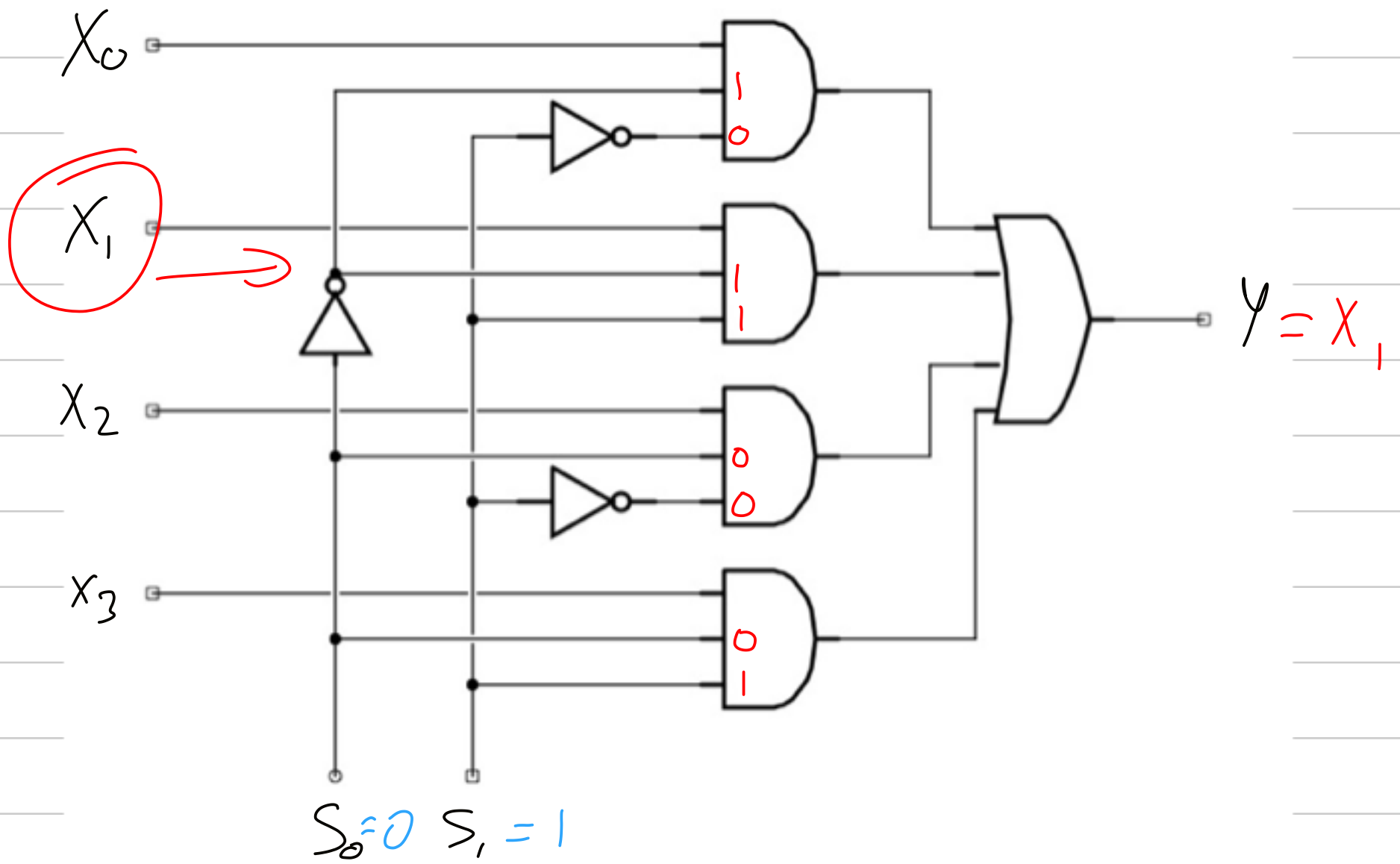


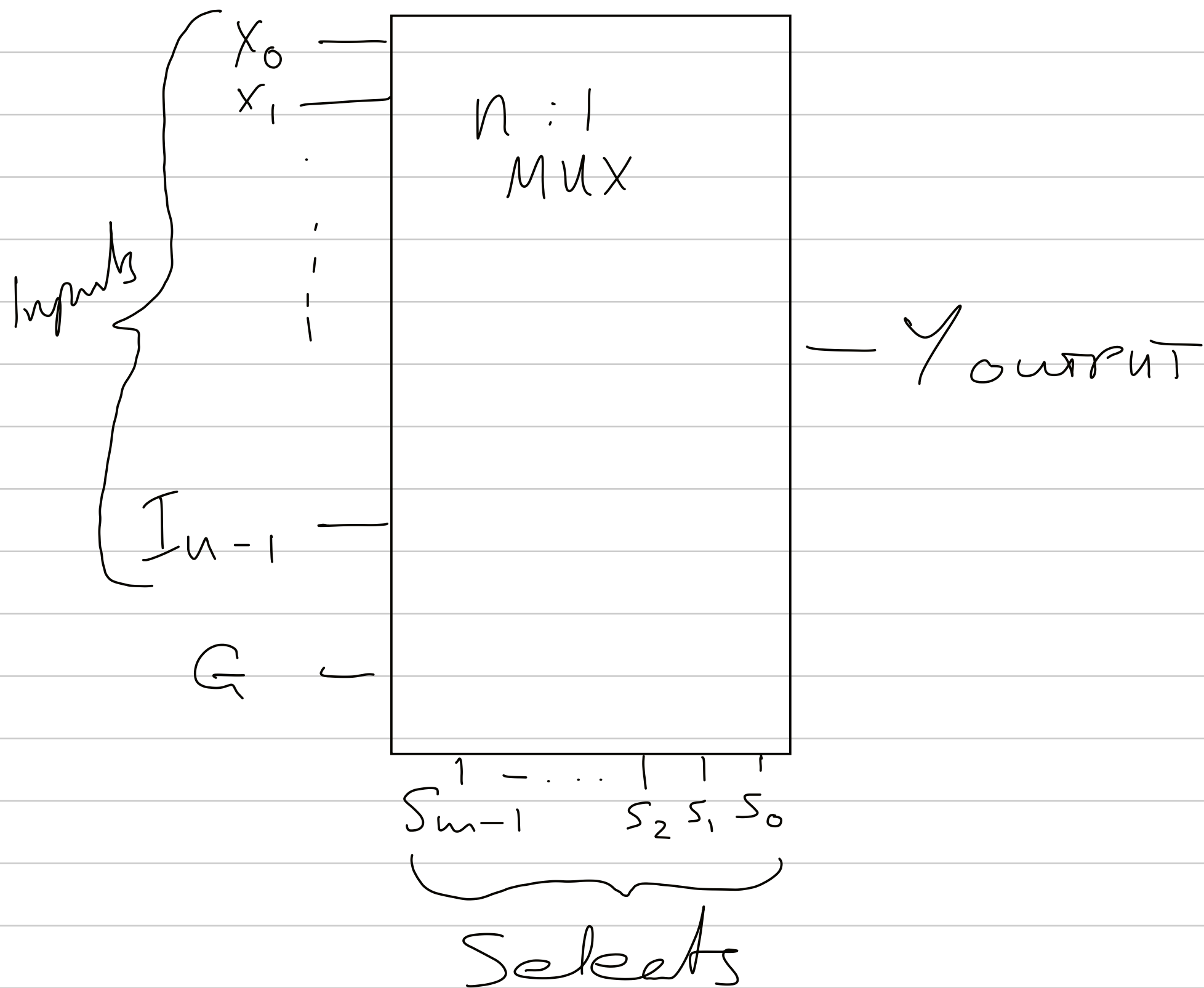
Encoder



Multiplexers - MUX ; DeMUX





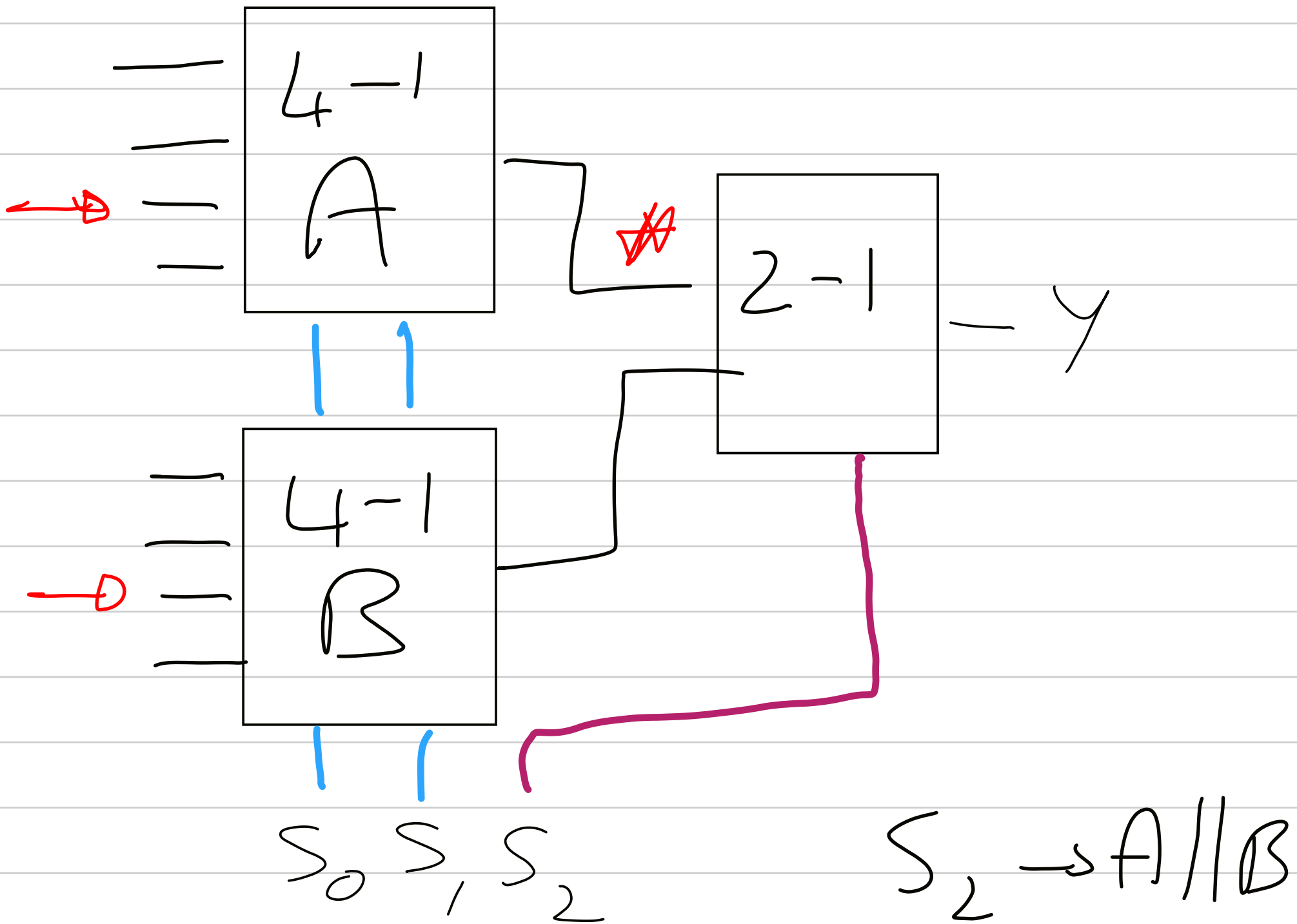


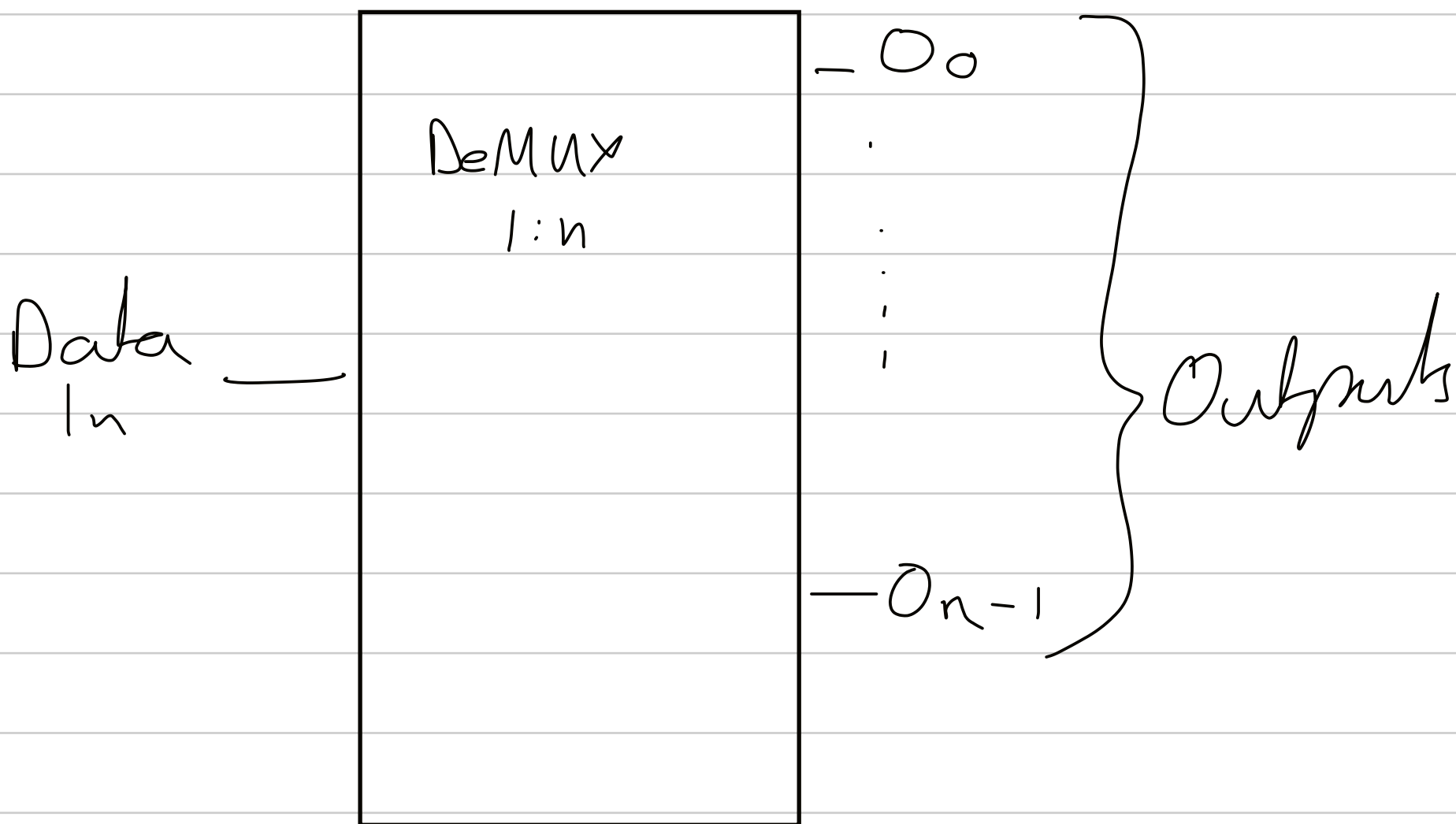
$$2^m = n$$

$G = \text{Strobe} / \text{enable}.$

DRAW A 8-1 MUX

USING 4-1 & 2-1 MUXs.





1 1 1 ... 1

Selects (m-selects)

$$n = 2^m$$