

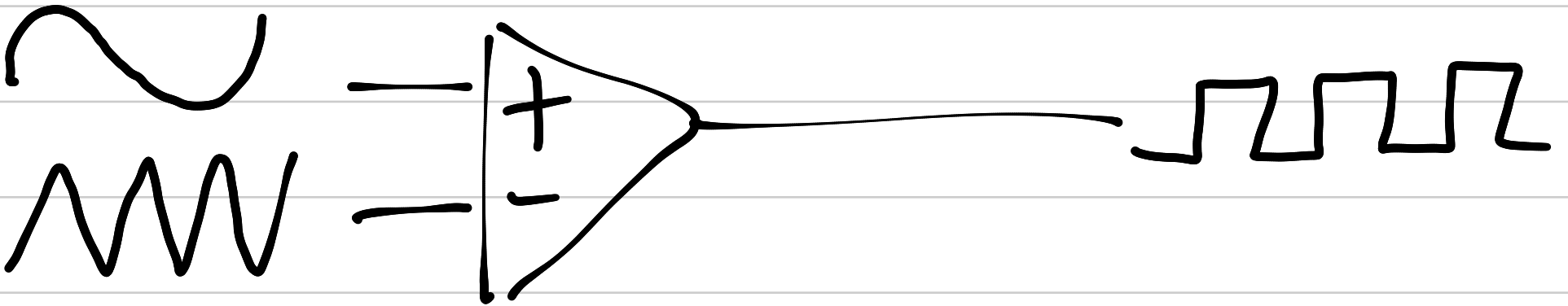
3 October 2012

PWM - cont

- Duty cycle

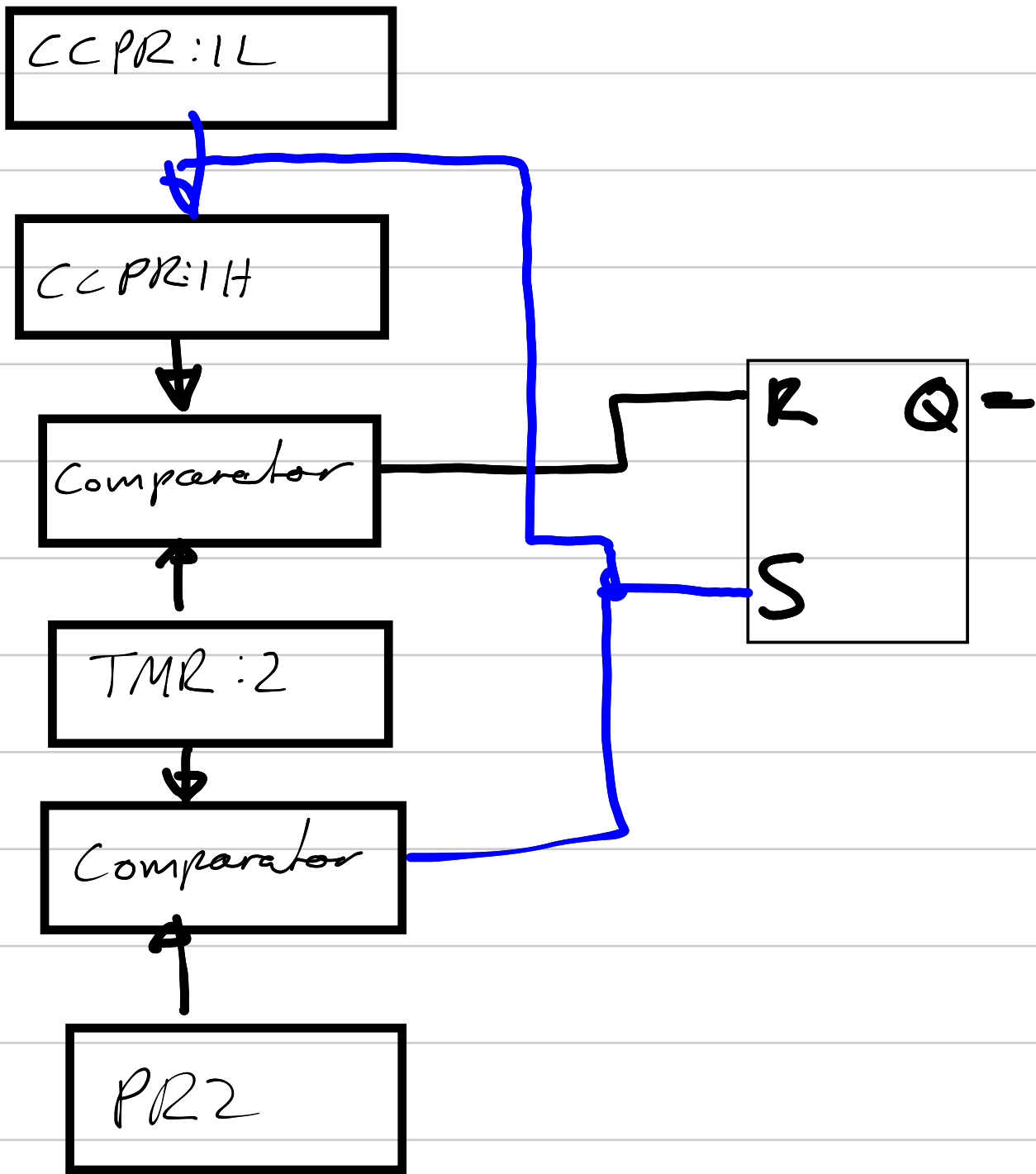
- Period

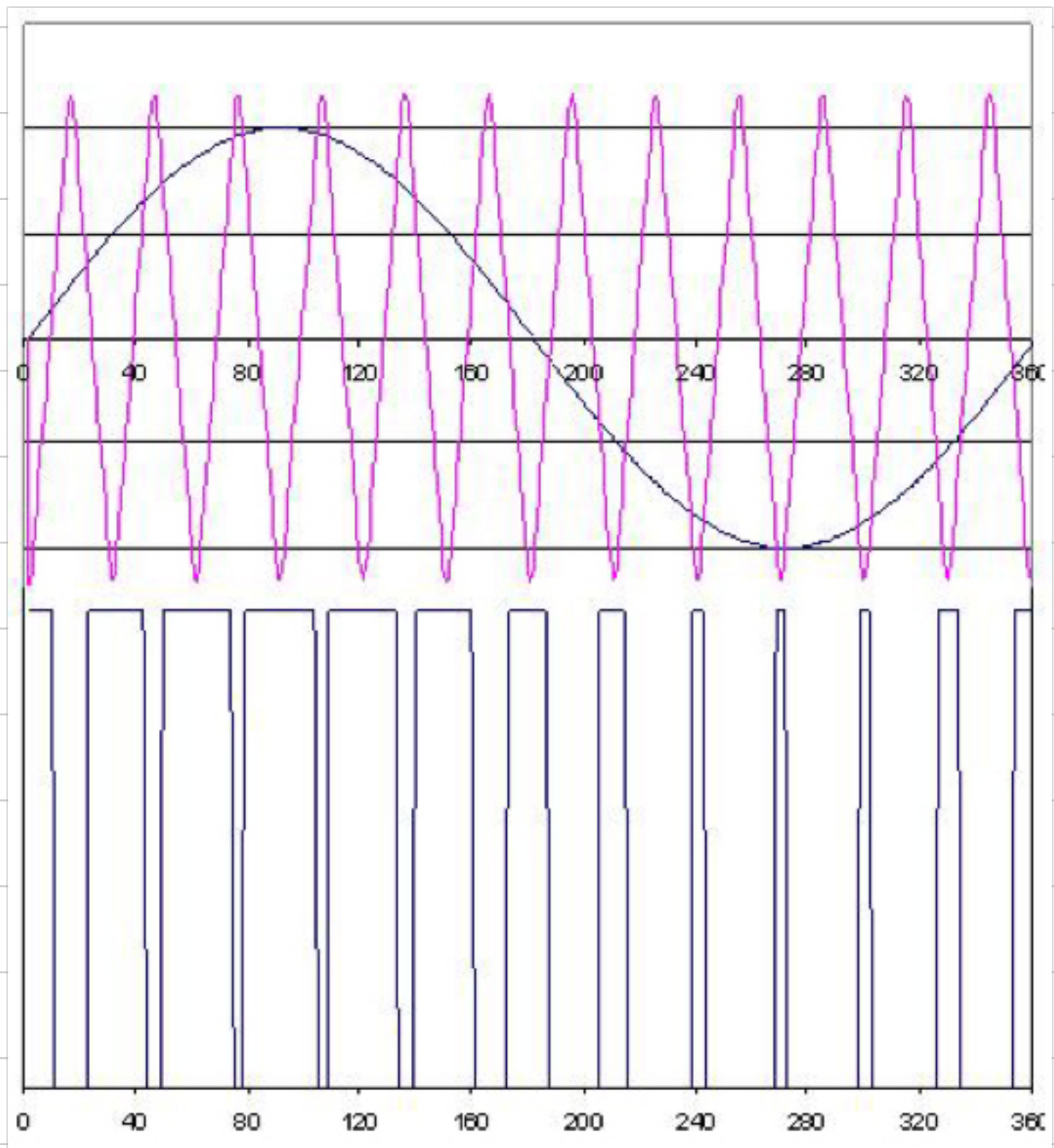
Command (modulating) signal

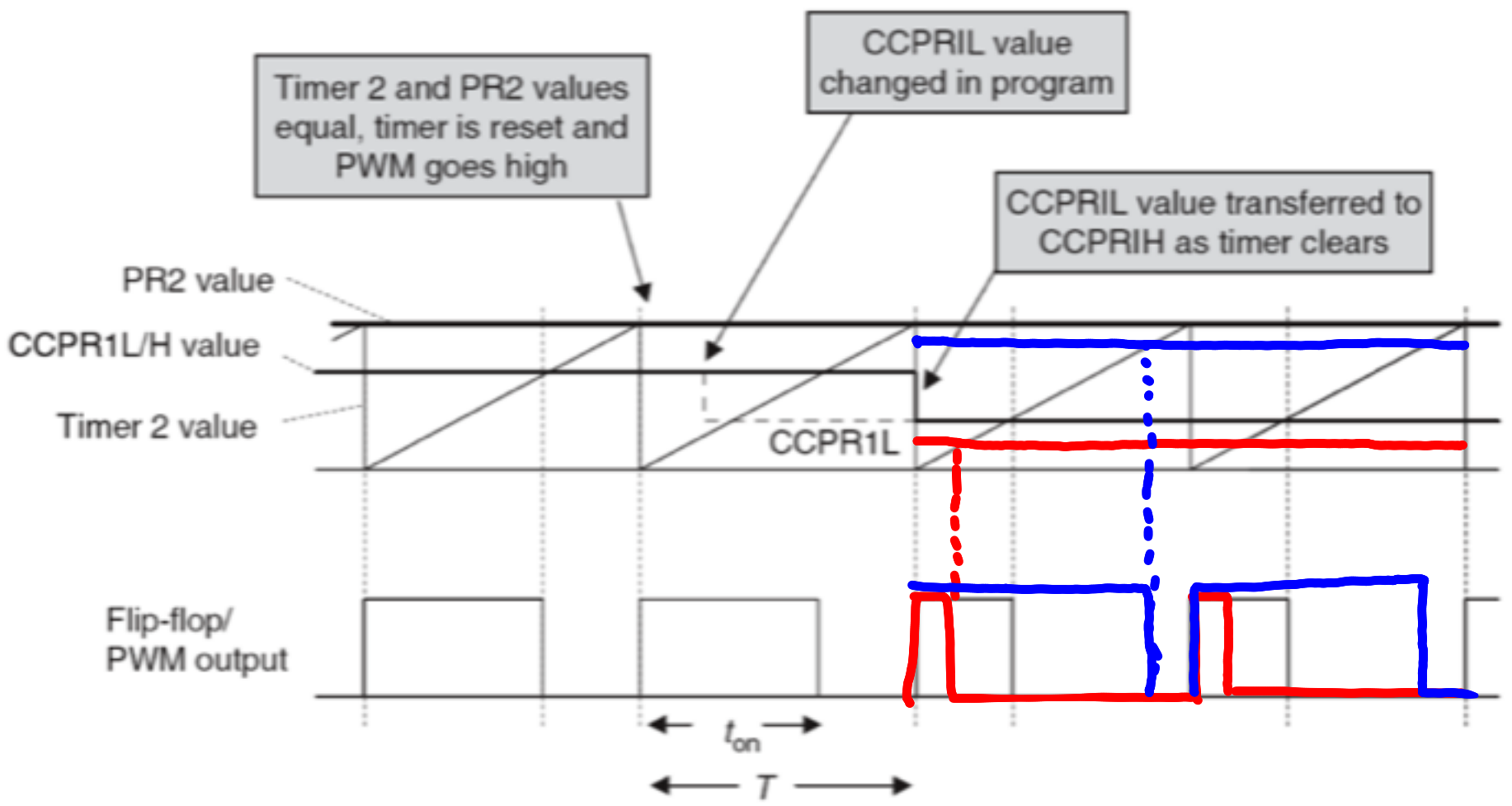


Chopping (carrier) signal







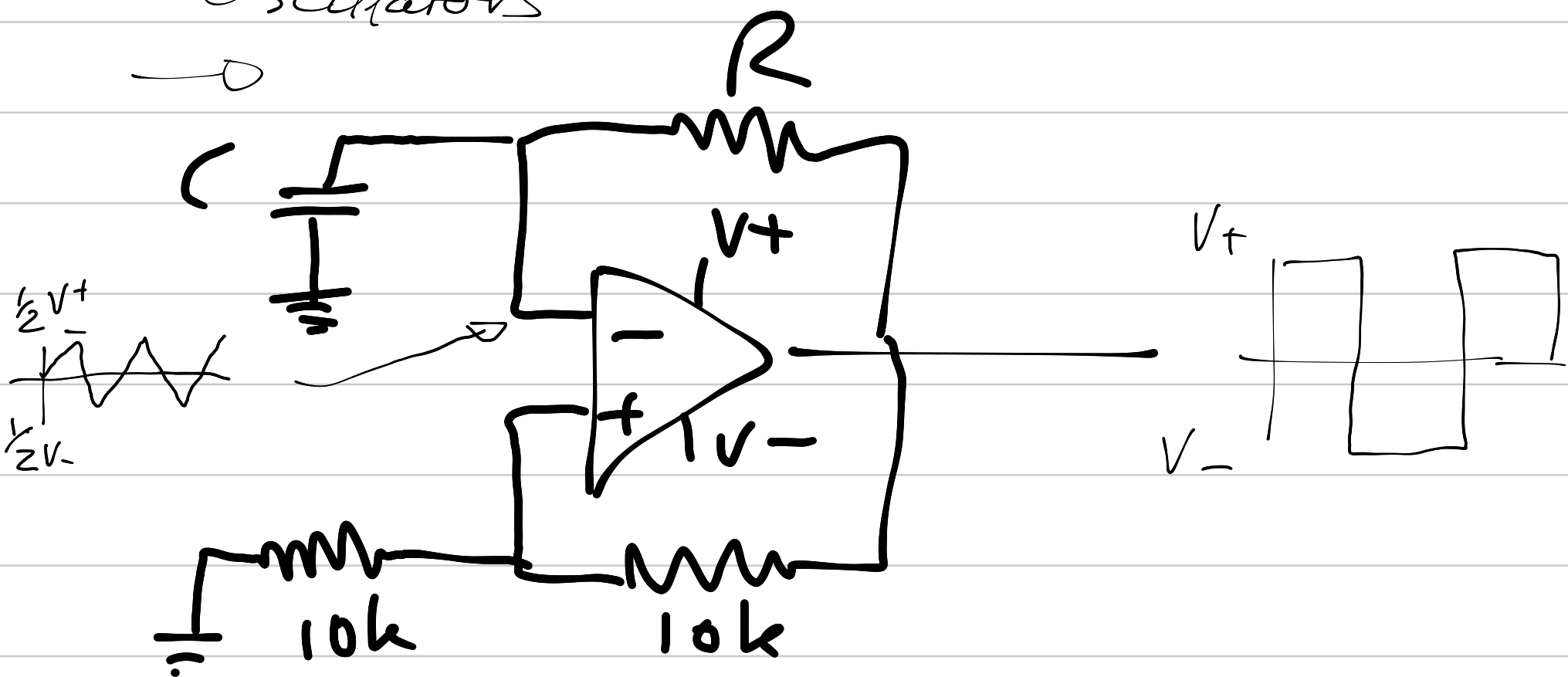


Software reliability

— WDT

→ Oscillators

→



RC relaxation oscillator

$$\text{Period} = 2.2RC$$

SSS → Stability is good

Cap $\frac{1}{3}$ → $\frac{2}{3}V$

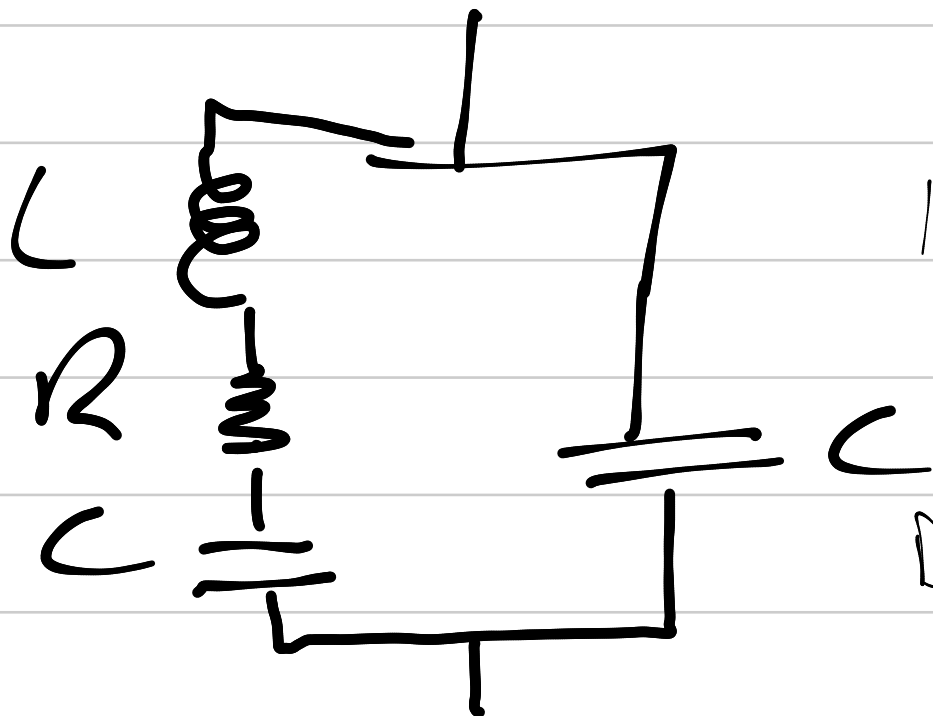
Voltage independent

Wien bridge → LC oscillation

Gain of 3

LC oscillators \rightarrow HF applications

Quartz \rightarrow



10 kHz - 10 MHz

Digital watch

\rightarrow 32,768 kHz? Why

2¹⁵

100