

RECAP → 26 July 2012

→ Gates / Block diagrams

→ Decoder

→ Encoder

→ Priority encoder

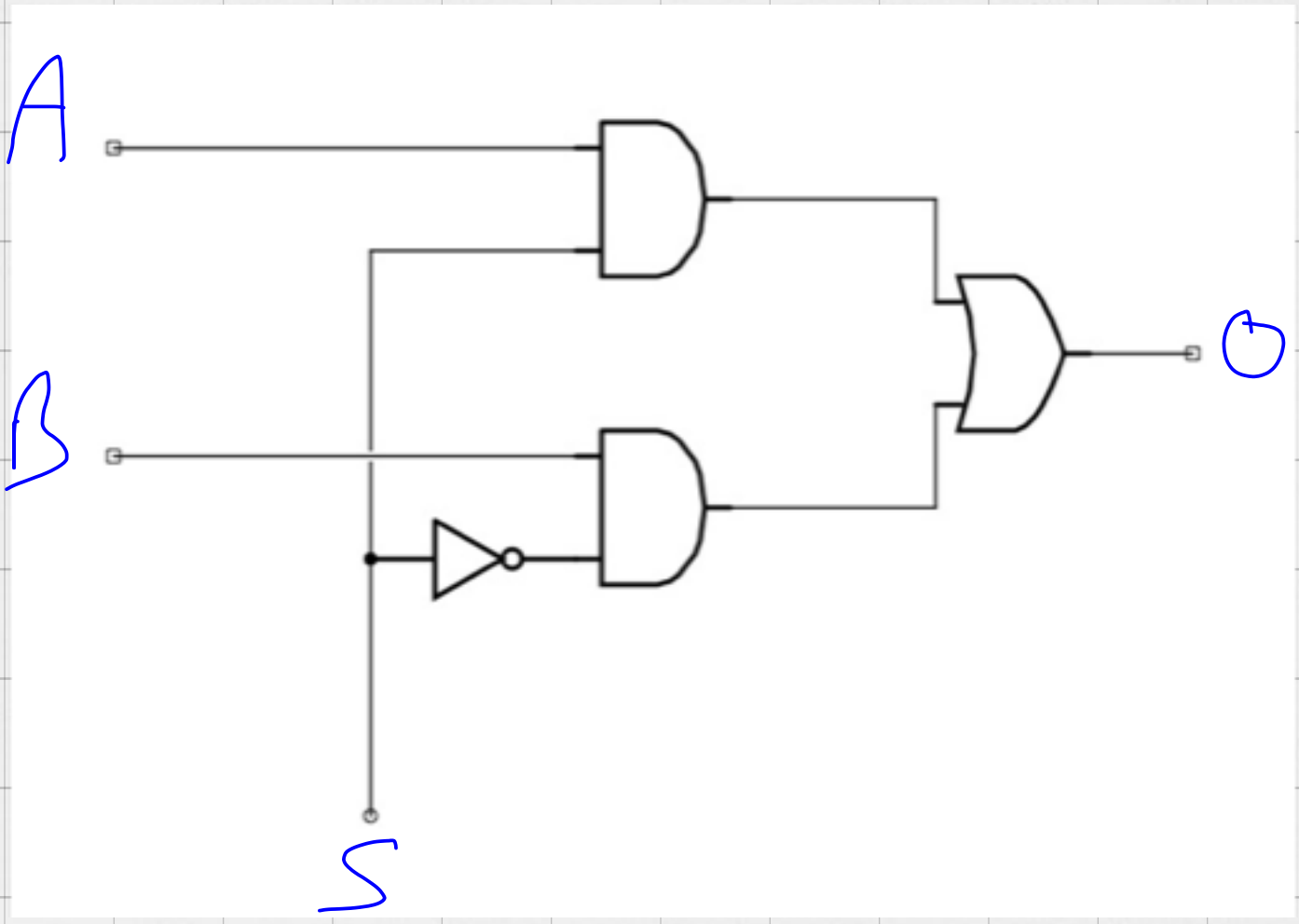
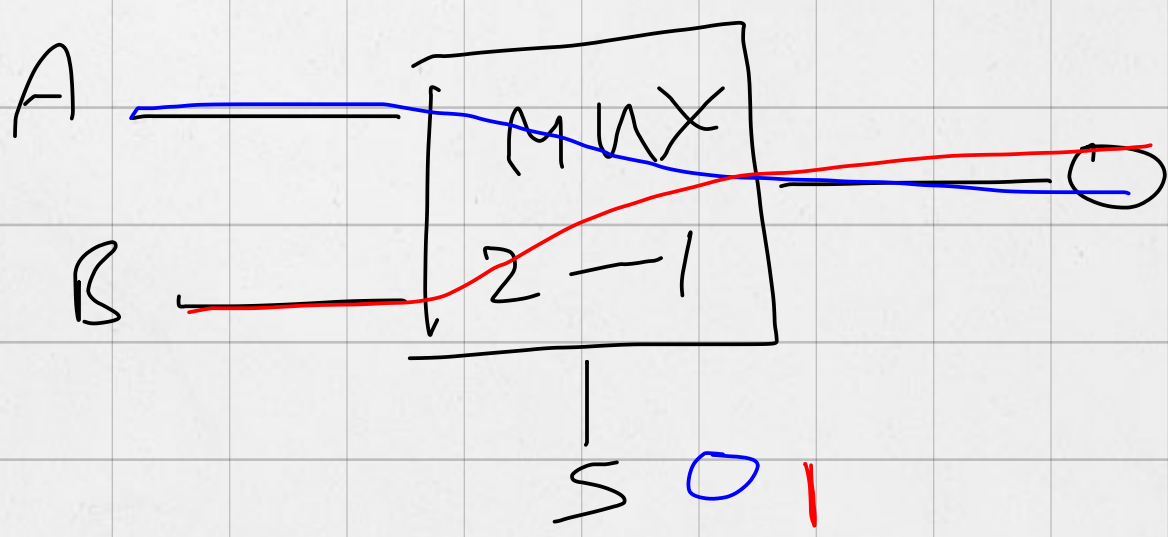
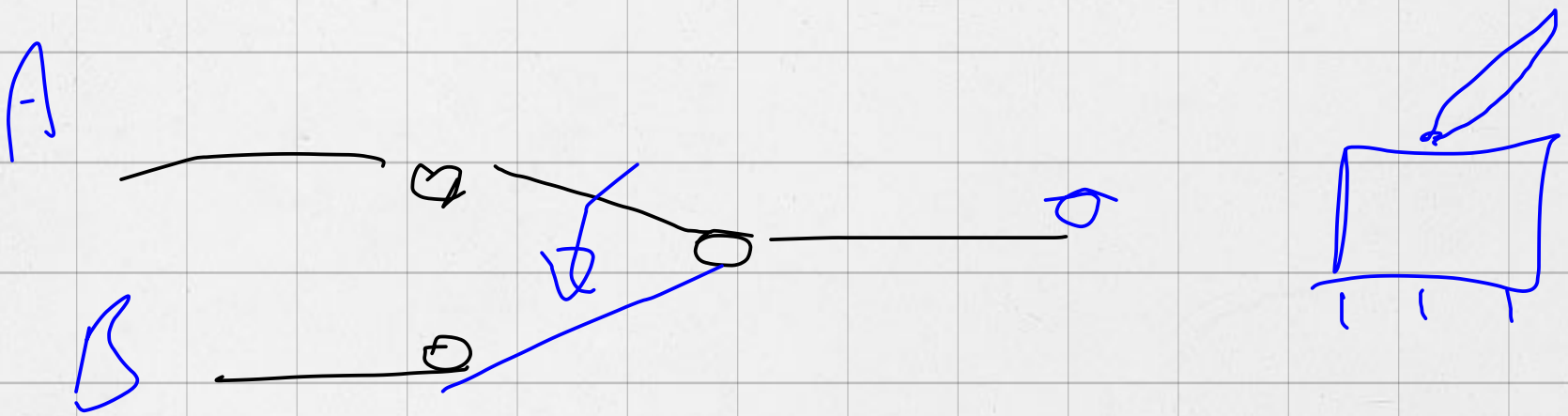
Applied computing
students need to give
loan no. to Vuzo at
EE reception

→ PC pool access please
check

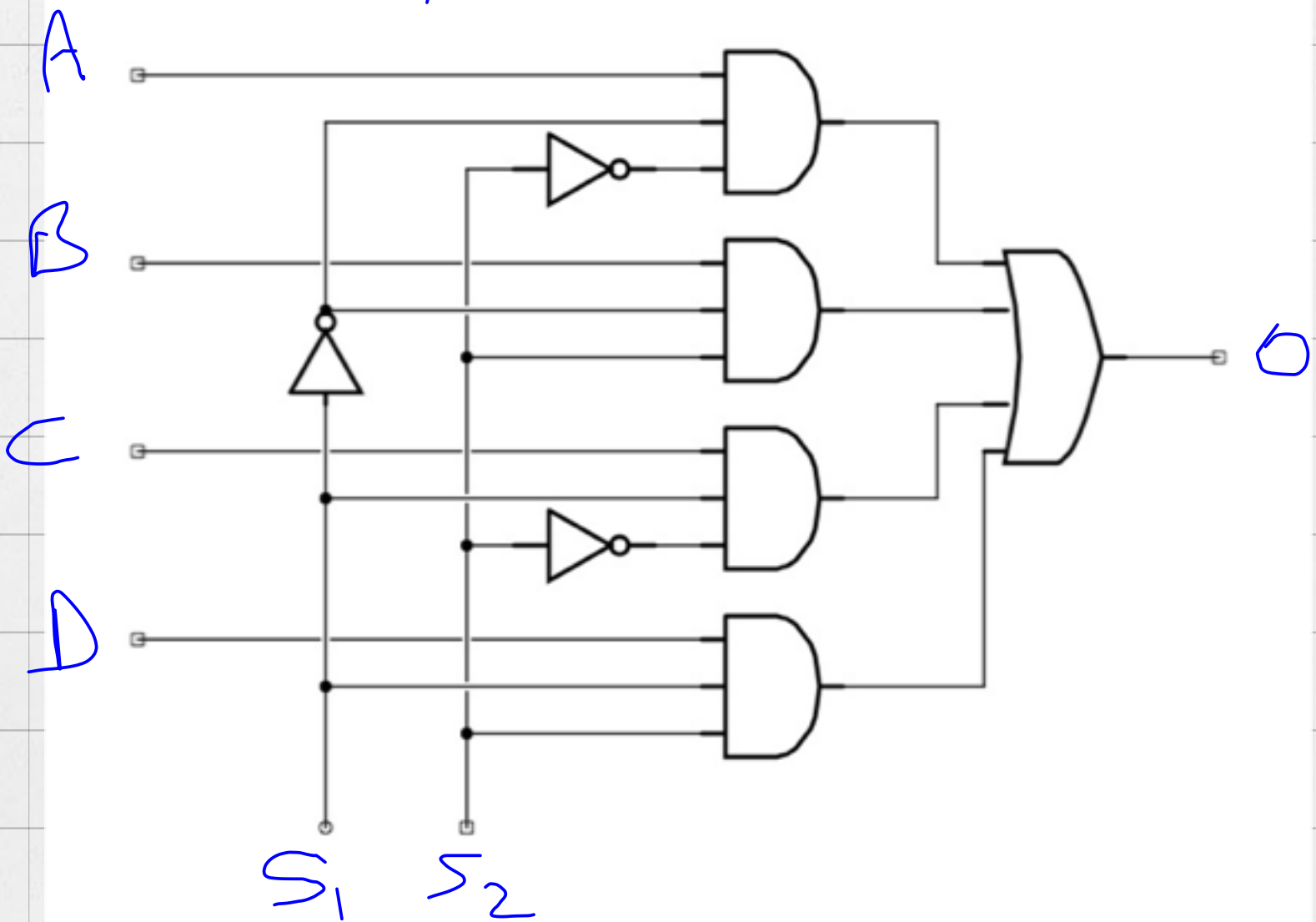
→ Labs & Lab partners.

→ Lab at reception
again.

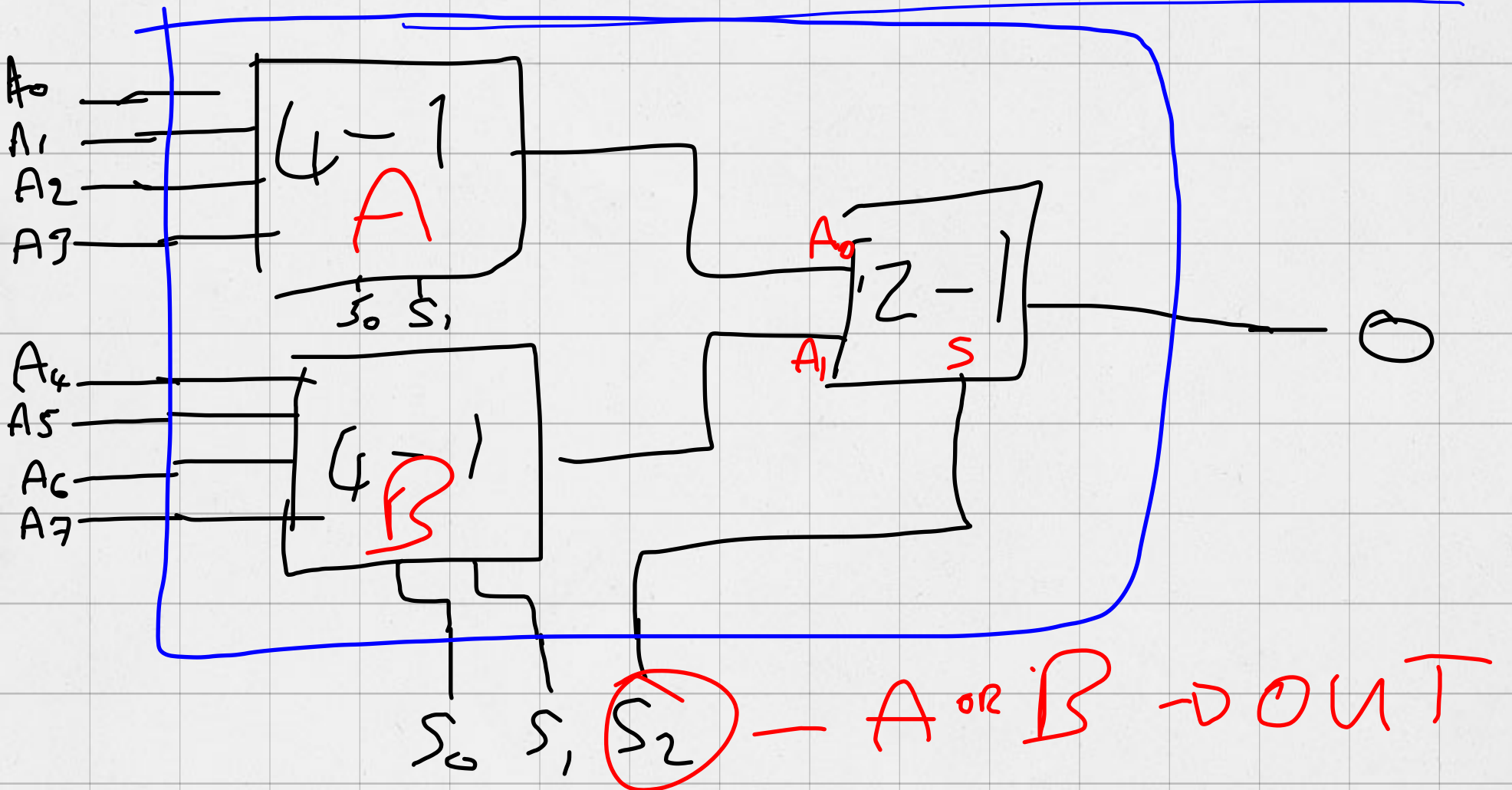
MULTIPLEXERS (MUX'S)



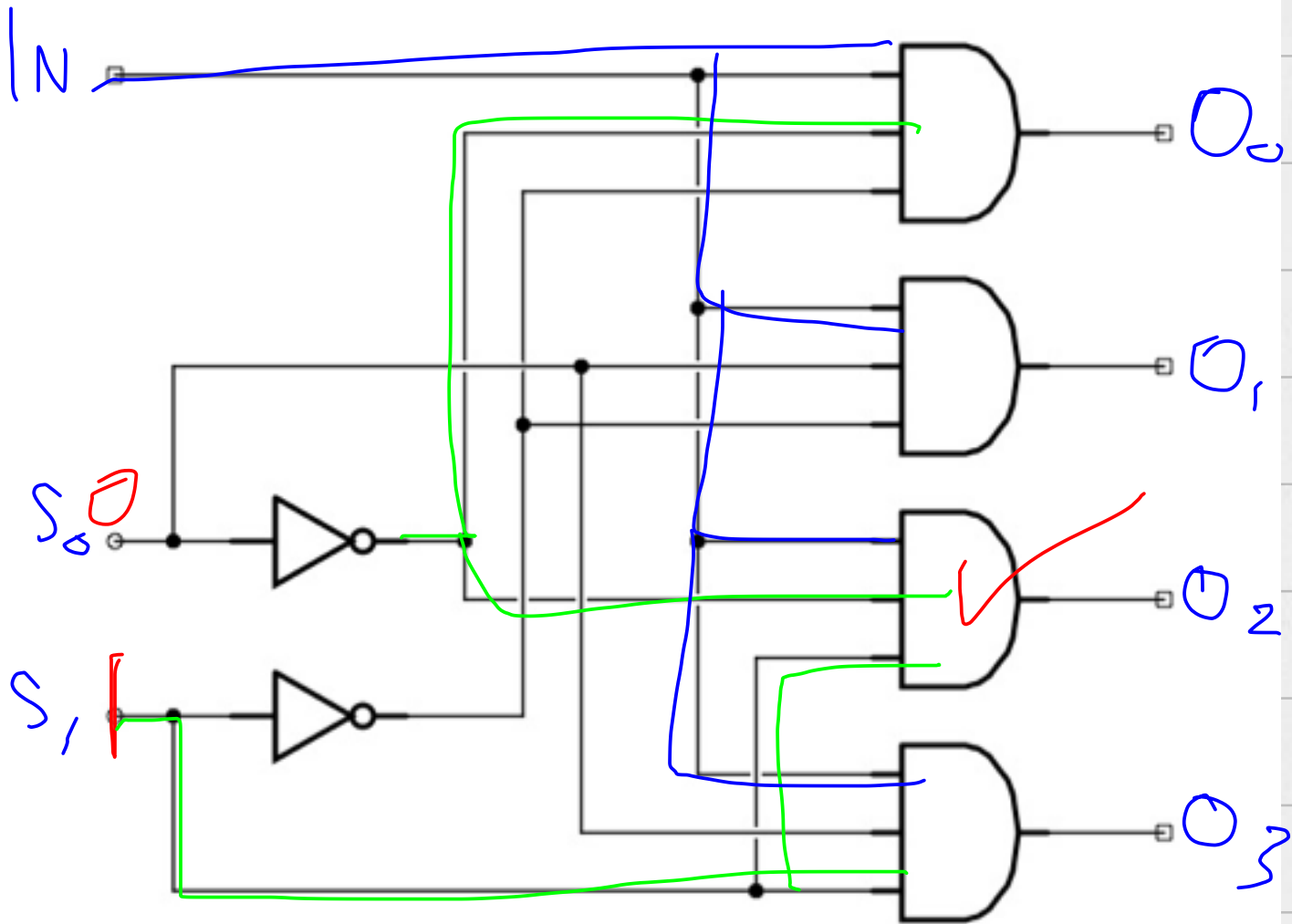
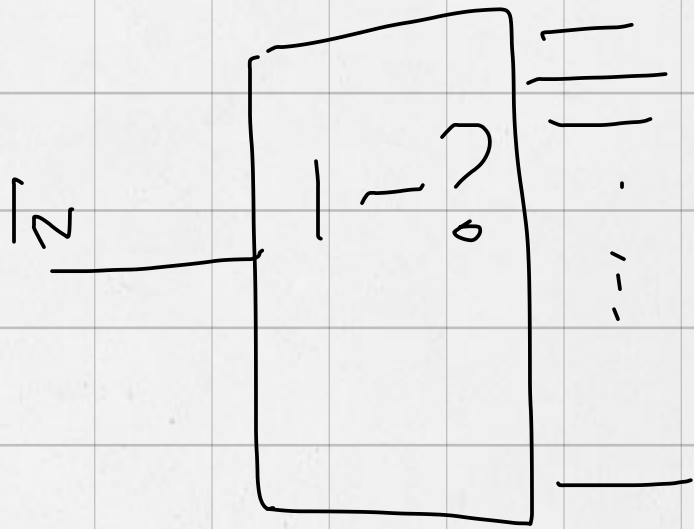
4-1 MUX



8-1 MUX (Block diag)



De-MUX

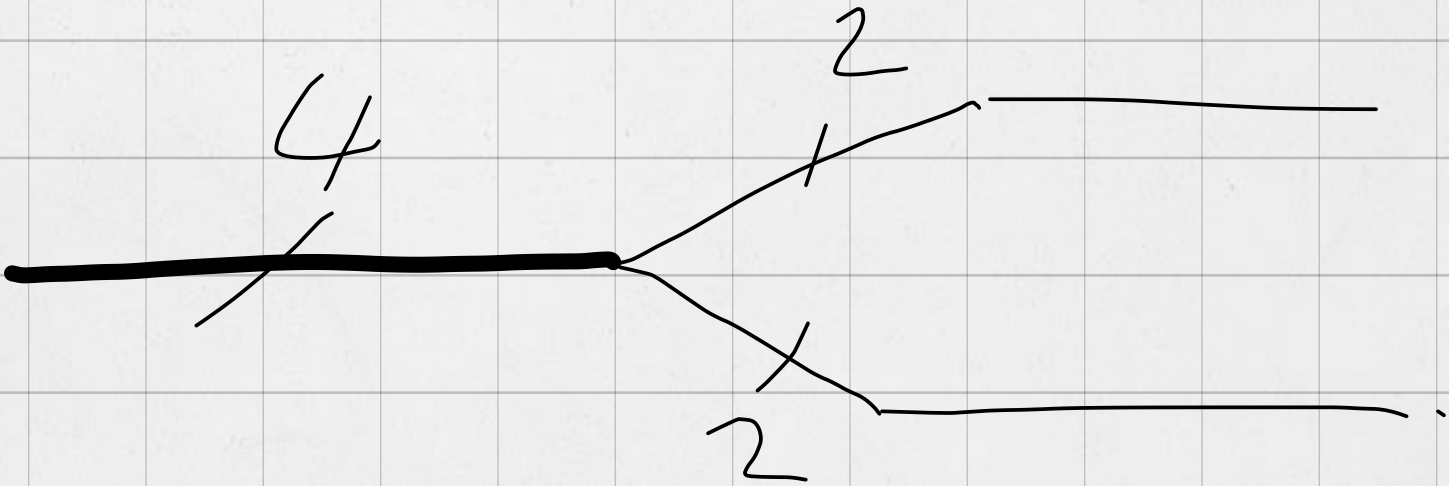
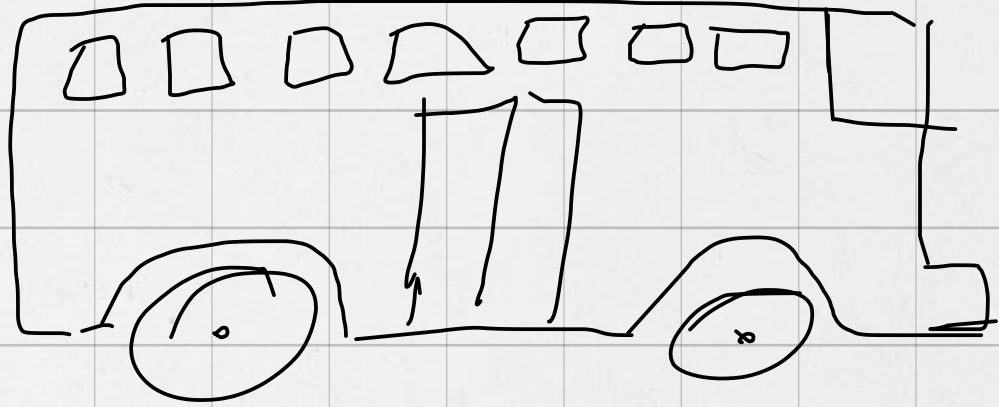


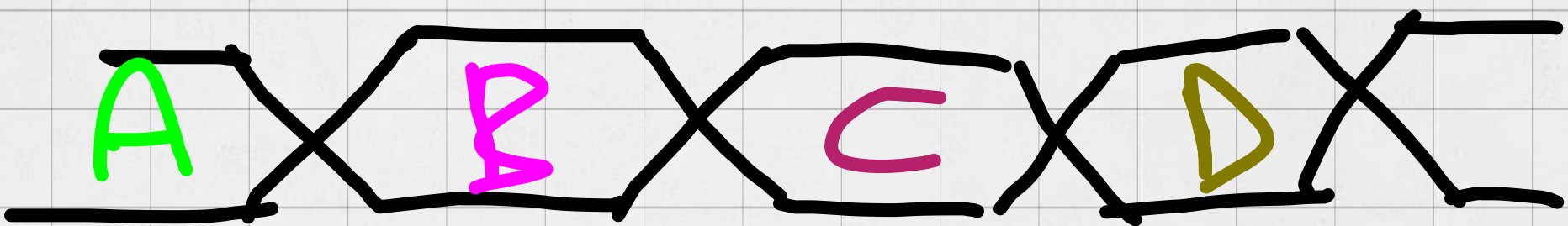
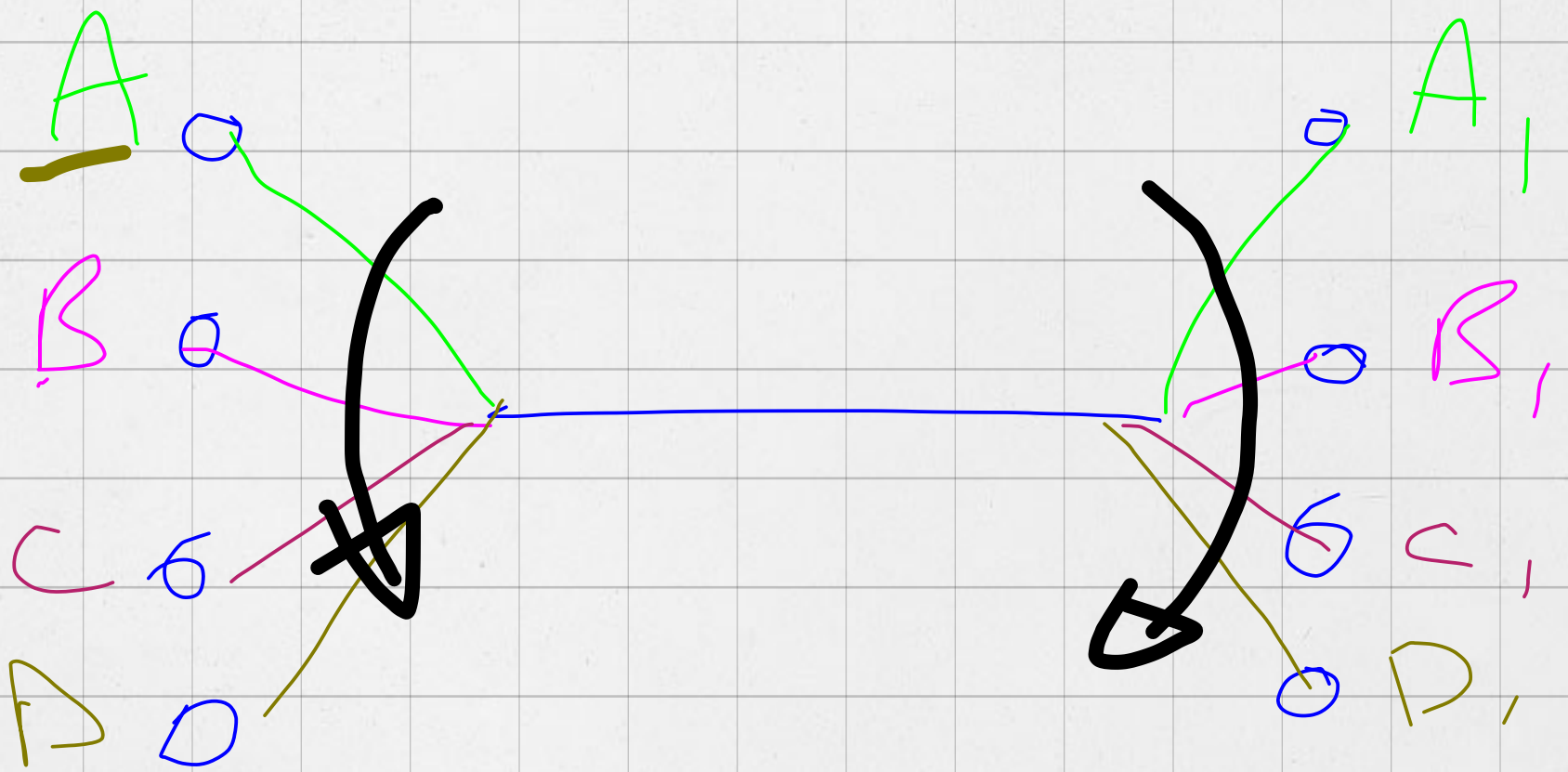
MUX & DeMUX USES

Why?

What are they used for?

BUSES?





End → 26/7/2012