

Laboratory 3 – 2016

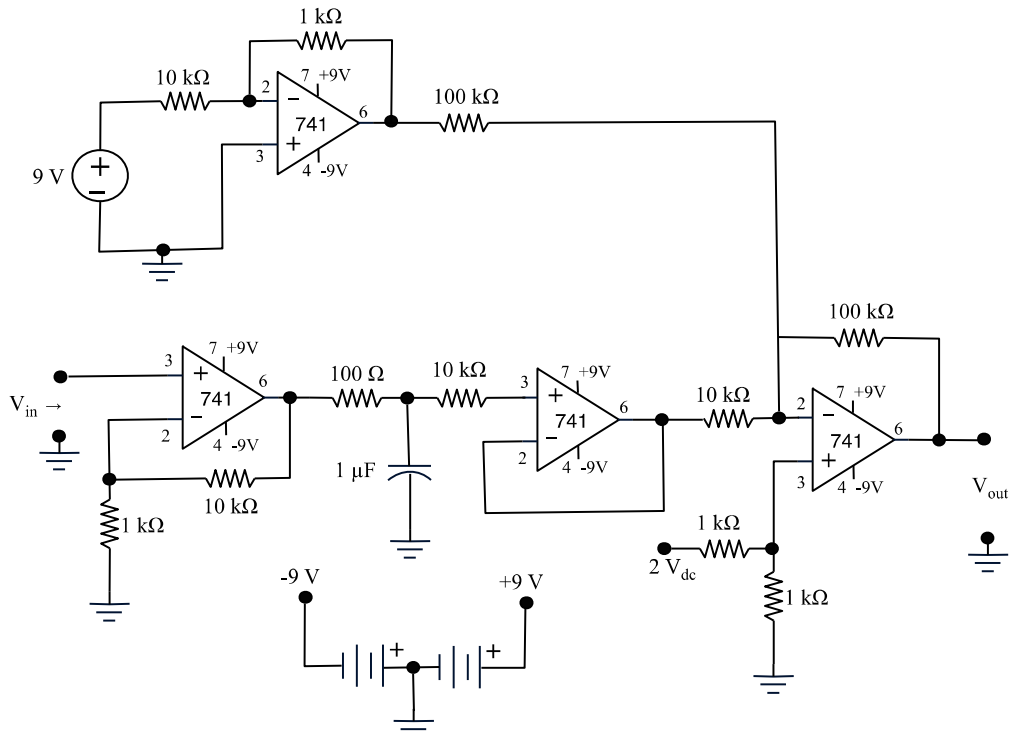


Figure 1: An operational amplifier circuit

- 1 Analyse the circuit in Figure 1 and then:
 - 1.1 Determine V_{out} with a $-0.1 V_{dc}$ at the input V_{in} .
 - 1.2 Sketch the output waveform with a $0.1 V_{p-p}$, 1kHz sine wave at the input V_{in} . You must include any dc offsets in your sketch.
- 2 Build the circuit in Figure 1 and, using a signal generator and oscilloscope, measure and demonstrate the outputs with the inputs as specified in section 1.